

DELUXE STITCHER

C O M P A N Y I N C .

Head Serial Number : _____

Date Purchased : _____

Where Installed: _____

(make/model of machine)

26/26D Stitcher Head

OPERATION AND MAINTENANCE MANUAL

Wire Sizes: 21-28 Ga. Round and 21x25 Flat

Crown Sizes: 5/16" (8 mm), 3/8" (9.5 mm),
1/2" (12.7mm) and 5/8" (15.9mm)

Capacity: 2 sheets to 1/4" (6.4 mm)

Before using this Stitcher Head, all operators must study this manual and follow the safety warnings and instructions. Keep these instructions with the 26/26D Stitcher Head for future reference. If you have any questions, contact your local DeLuxe Stitcher Graphic Arts Representative or Distributor.

WARNING!

26/26D Stitcher Head

Machine operators and others in the work area should always wear safety glasses to prevent serious eye injury from fasteners and flying debris when loading, operating, or unloading this machine.

Do not operate this stitcher head without all stitcher machine guards in place. Do not modify the guards in any way. Always disconnect the power supply before removing any guards for servicing.

Never operate the machine with wire feeding through the head unless there is stock above the clinchers, otherwise serious damage may result.

Always turn power off when making adjustments. Always disconnect the power cord before any disassembly work.

Table of Contents

| | |
|--|-----------|
| Introduction | 4 |
| Part Number Definition..... | 5 |
| Specifications | 6 |
| Installation | 8 |
| Pre-Inspection | 8 |
| Inspection | 8 |
| Mounting | 10 |
| Operation | 12 |
| Wire Threading | 12 |
| Wire Straightening | 13 |
| Adjustments and Settings | 14 |
| Maintenance..... | 18 |
| Lubrication | 18 |
| Cleaning | 19 |
| How to Order Spare Parts..... | 20 |
| Replacing Spare Parts | 20 |
| Troubleshooting..... | 25 |
| Formed Staple Chart..... | 25 |
| Appendices | 27 |
| Exploded Drawings..... | 27 |
| Part Number/Description Cross Reference | 43 |
| Variable Crown and Wire Sizes | 46 |
| Registration Card | 49 |
| Wear/Replacement Parts | 50 |
| Warranty | 51 |

Introduction

The DeLuxe Stitcher Company 2001DHD Series, 2301DHD Series, 2601AHD Series, 2601DHD and 2601 EHD Series Wire Stitcher Heads are basically identical with respect to operation. Variations occur in some of the component parts due to adapting that basic head to single stitch and gang stitch machines and also due to model design changes. Variations between the 2601AHD Series and the 20001DHD Series can be recognized by a comparison of the Swivel Holders.

These heads were designed over 75 years ago, yet they still remain the most popular stitcher head sold in the world. The 26/26D heads are reliable, durable and economically priced.

Typical Style Uses:

2001DHDNo. 2 and No. 10 Wire Stitchers
2301DHDNo. 23 Wire Stitchers
2601EHDNo. 16E and 17E Wire Stitchers
2601DHD/2601AHDAutomatic Saddle-Stitchers,
.....Gang-Stitchers, Multibinders and Others

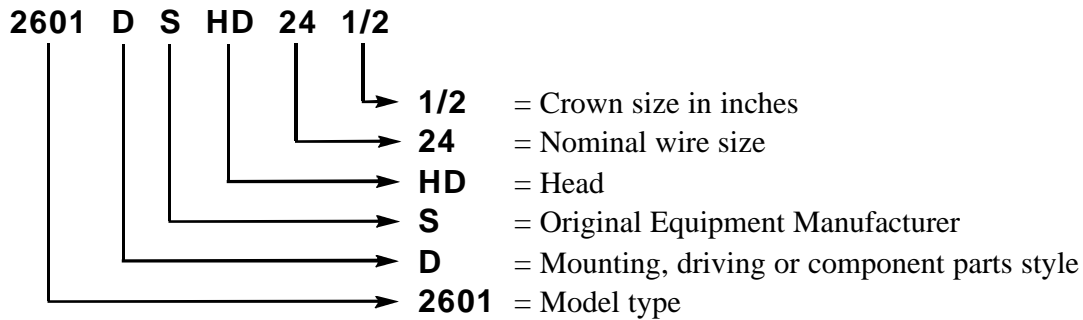
Examples of Replacement Heads for OEM Users*:

AM Graphics / Sheridan
 455, 562, 690.....2601DSHD251/2
AM Graphics / Sheridan 7052601DOHD251/2
Bourg 2601DOHD251/2
Christensen 2601DSHD251/2
Macey Multibinder 2601AOHD251/2 and 2601DSHD251/2
McCain 2601DCMC251/2
Pitney Bowes 2601APBHD251/2 and 2601APB2HD251/2
Rosback 2601AOHD251/2

* These are just a few examples of the replacement heads available for these OEM's.

Part Number Definition

The part number for each Stitcher Head can be used to define the stitcher head itself, in most cases. The Head's model type, mounting style, nominal wire size and crown size can all be determined from the part number.



Model Differences

Generally speaking, the following part numbers indicate which Stitcher Heads can be used as replacement heads for your Stitcher Machine or collating system*.

- 2001 - 2-AW Stitcher
- 2301 - Model 23 Stitcher
- 2601 - 17-AW and most other saddle equipment manufacturers
- AHD - The "A" style head with a shorter Operating Spring and one-piece Swivel Holder
- AOHD, APBHD, DCMCHD, DSHD, ARHD - Specially designed heads for specific manufacturers such as Pitney Bowes, McCain, Sheridan and Rosback
- ASMHD - Heads for DeLuxe Stitcher Company StitchMaster and MiniStitcher machines
- BHD - Head which mounts to the stitcher machine with a "bolt," typically on single-head machine
- DHD - The "D" style head with three-piece Swivel Holder, and more durable Operating Spring, Hub and Driving Slide
- EHD - Head typically used on Bostitch 17AW's or No. 17's
- MHD - Head specially designed for multi-head M-Series Stitchers

* **These are just examples and should be used as reference only.**

Specifications

Weight

Shipping Weight 7 lbs (3.2 kg)

Physical Dimensions

Height 10-3/4" (26.3 cm)

Width 2" (5.1 cm)

Stitching Capacity Two Sheets to 1/4" (6.4 mm)

Wire Types 21 through 28 round or 21 x 25 flat
(25 gauge round standard)

Crown Sizes 5/16" (8mm)
..... 3/8" (9.5mm)
..... 1/2" (12.7mm)
..... 5/8" (15.9mm)

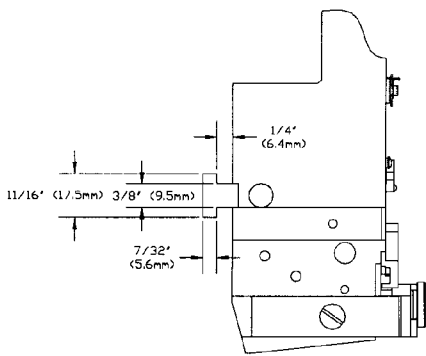
Minimum Head Centers

..... 1-7/8" (47.6mm)

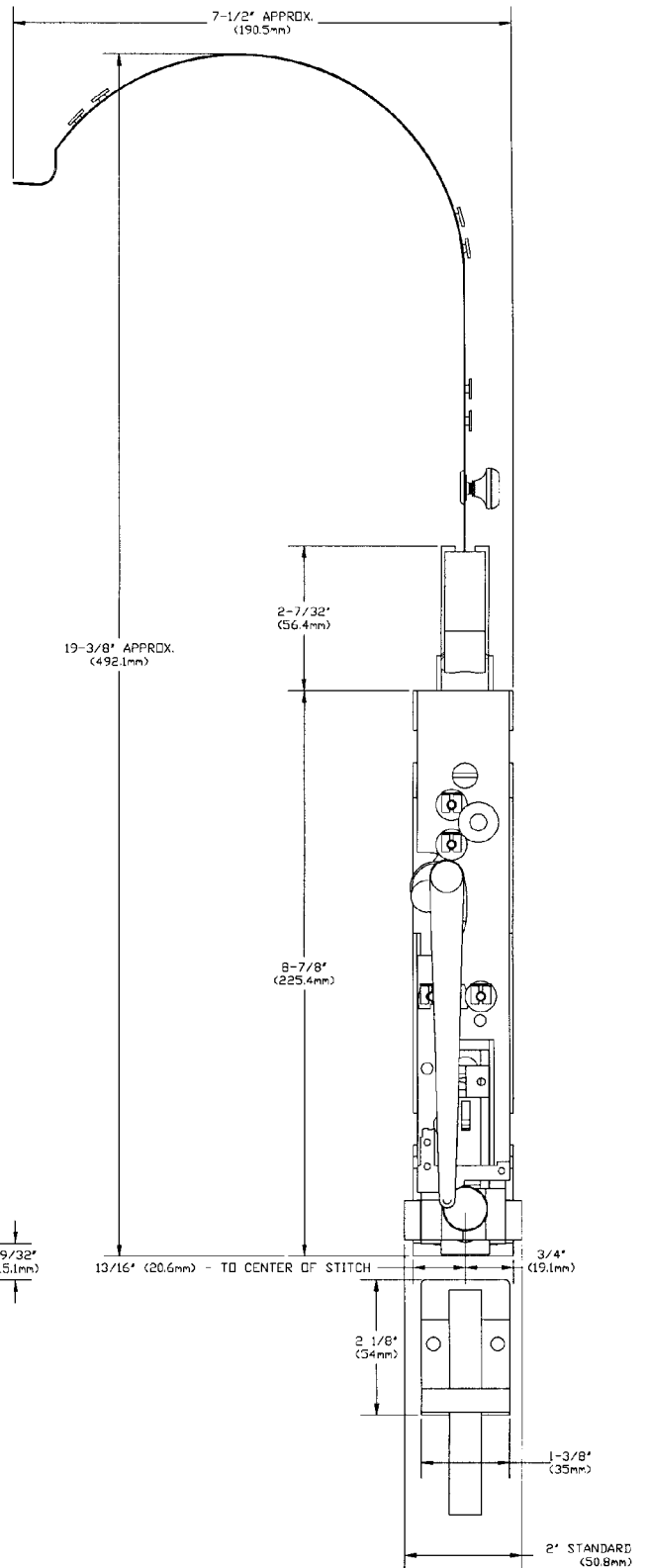
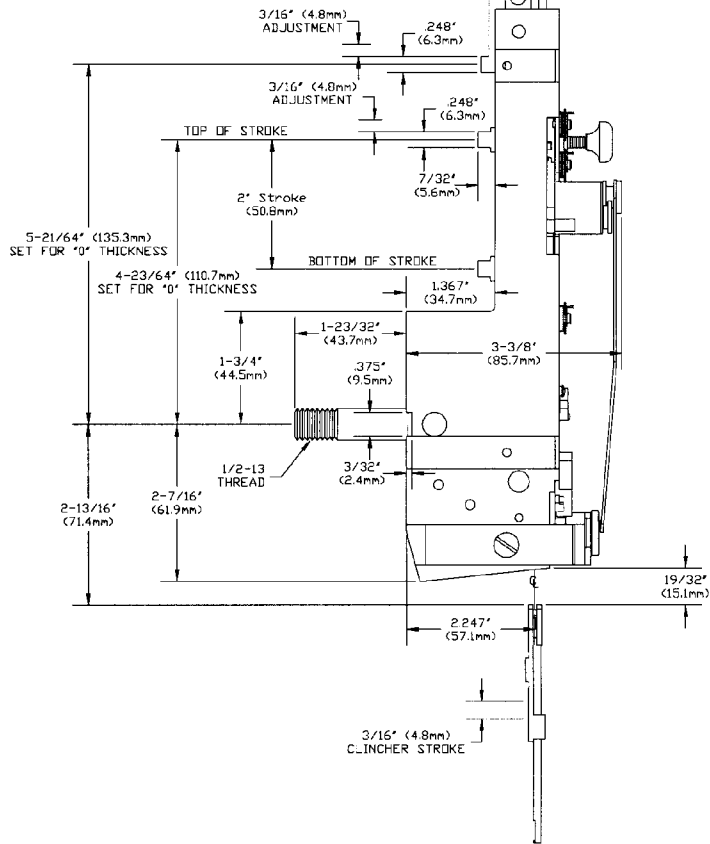
Stitches Per Hour 12,000

Replacement for: Interlake/Acme/Champion heads

Dimensions



*T-SLOT FOR ADJUSTABLE AND GAND MOUNTING OF HEADS



Installation

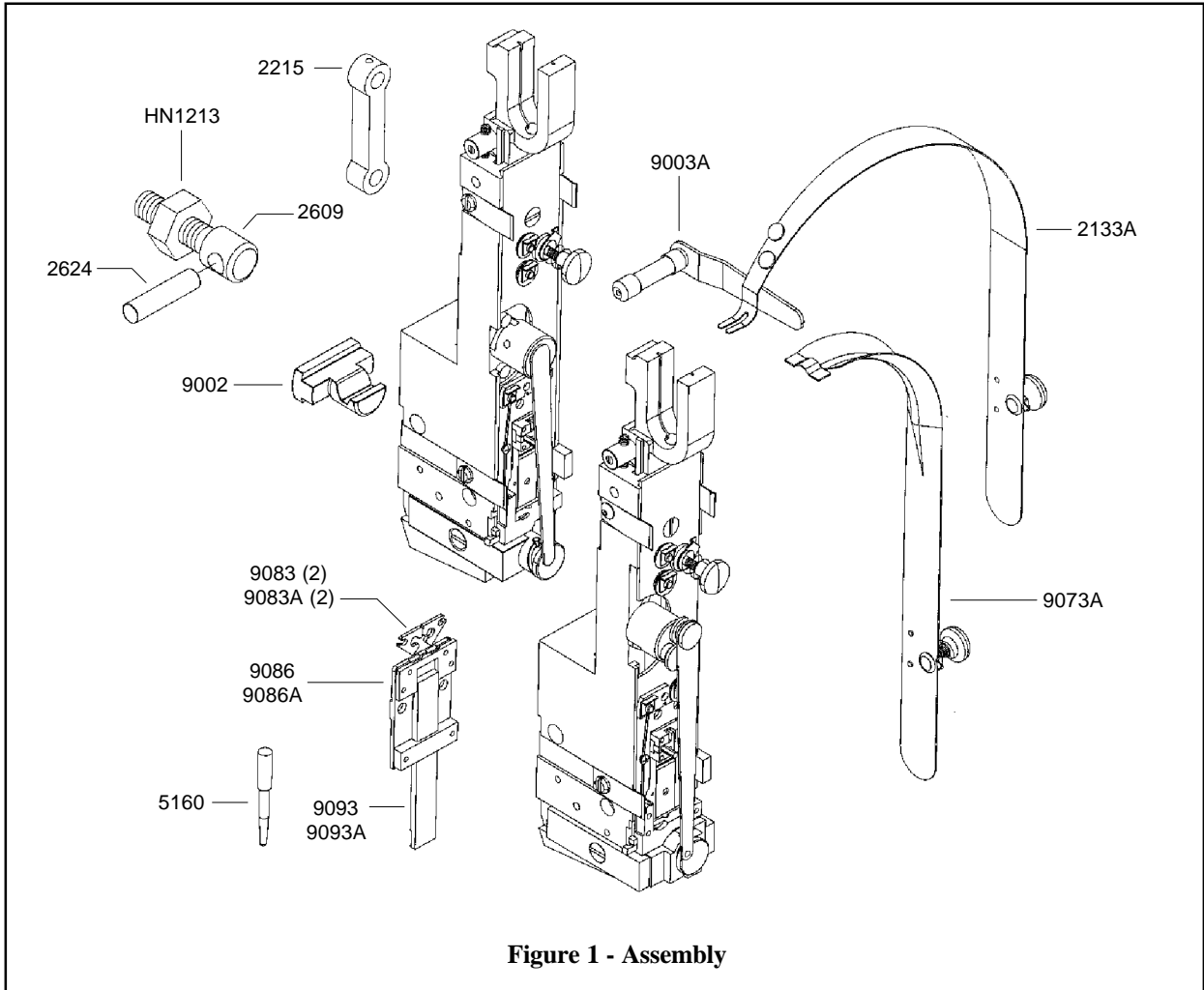
Pre-Inspection

Carefully inspect the condition of the shipping container before unpacking your 26/26D Stitcher Head. If the container is broken or damaged and there is evidence that the stitcher head may be damaged, immediately notify the carrier who delivered the head and the DeLuxe Stitcher Graphic Arts Representative from whom the 26/26D Stitcher Head was purchased.

Inspection

As you carefully unpack the head, check to make sure all components were delivered and are in good working order. Refer to **Figure 1** in this manual for reference to the following pieces:

- 26/26D Manual
- Driver Release Pin
- Wire Guide Spring Assembly
- Bonnet Clamp Block and Bonnet Clamp Handle on 2601AHD, 2601DHD and 2601EHD style heads
- Bonnet Binder Stud, Bonnet Stud Pin and Bonnet Stud Nut on 2001DHD and 2301DHD style heads
- Clincher Plate, Points and Slide (supplied with most heads)
- Driving Shaft Connector Link on 2001DHD and 2301DHD style heads
- Stitch Samples



Pre-Installation

Please take a few moments to fill out the registration card located on page 49 prior to beginning installation.

⚠ WARNING
 Always disconnect the power supply before making any adjustments or servicing the head.

Mounting

The quality and quantity of work that can be produced by the DeLuxe Stitcher Company Heads is dependent upon the operator making the various operating adjustments as accurately as possible. The following illustrated instructions are provided so that the operator will clearly understand how to make the various required operating adjustments.

* Parts shown in outline are separated for identification purposes only.

2601AHD, 2601DHD and 2601EHD (Slot Mount/Rail Drive)

To remove the 2601AHD Series, the 2601DHD Series and the 2601EHD Series Heads, raise the clamping Eccentric Handle (9003A) until the Bonnet Clamp Block (9002) disengages. (approximately an 11 o'clock position) The head can then be removed from the stitcher. Refer to **Figure 2**.

When attaching the 2601AHD Series, the 2601DHD Series and the 2601EHD Series Heads to the stitching machine, check to see that the Driving Slide Lug (2602) and the Face Plate Adjustment Slide (2610) are engaged in the grooves of the stitching machine's Driving and Adjusting Rails. Lock the Bonnet (2601R) in position by pressing down on the clamping Eccentric Handle.

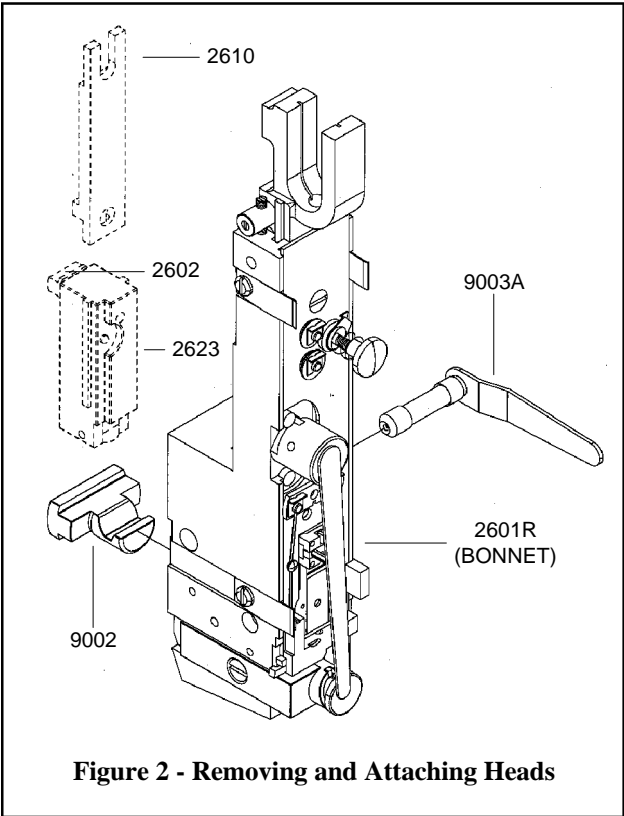


Figure 2 - Removing and Attaching Heads

2001DHD and 2301DHD (Bolt Mount/Crank Drive)

To remove the 2001DHD or the 2301DHD Series stitcher heads from No. 2 and No. 23 style Stitching Machines, rotate the Drive Pulley on the stitcher machine until the Grip (9015) on the 2001DHD or 2301DHD style head closes on the wire. Remove the Bonnet Binder Stud Nut (HN1213) and withdraw the head from the machine. **Refer to Figure 3.**

NOTE: Instructions may vary with other types of Bolt Mount/Crank Drive machines.

To attach the head, rotate the Drive Pulley on No. 2 and No. 23 style Stitcher Machines manually until the stitcher's Driving Crank is at the top of its stroke. Engage the Driving Shaft Connecting Link

* Parts shown in outline are separated for identification purposes only.

(2215) with the Driving Slide Pin. (2103B) on the back of the stitcher head. The Driving Slide Pin must be inserted in the lower hole of the Link. (The lower hole of the Link is the one opposite of the oil hole.) With the Link held in a vertical position, line the head up with the machine. Engage the machine's Crank Pin in the upper hole of the Driving Shaft Connecting Link and insert the Binder Stud Pin (2624) in the mounting hole of the Bonnet casting.

Push the the 2001DHD Series Head into position until the Bonnet Binder Stud (2609), which is secured to the Stitcher Head with the Bonnet Stud Pin (2624), is fully inserted into the machine's mounting hole and the stitcher's Face Plate Adjusting Link Eccentric is positioned within the hole in the Head's Face Plate. (2132BA or 2146CA) If the Link Eccentric is not in alignment with the hole in the Face Plate, adjust the machine's Compression Knob or Handle or the Face Plate until it is.

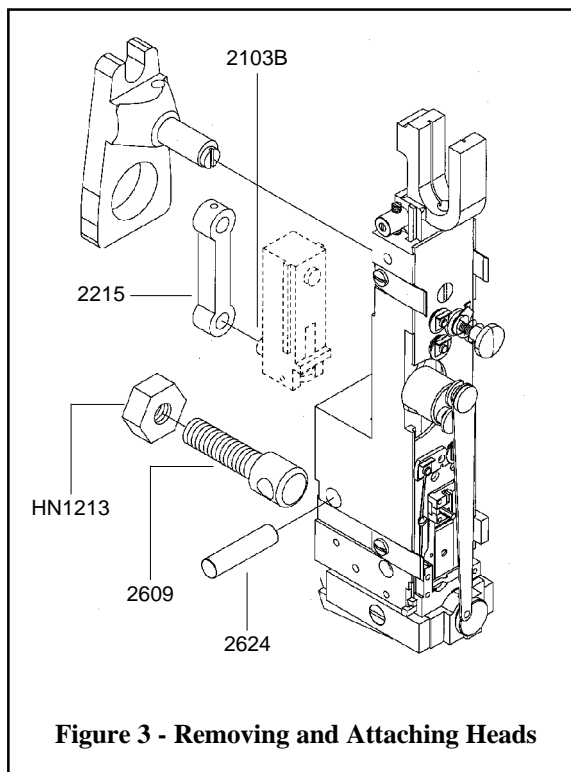


Figure 3 - Removing and Attaching Heads

Verify that the Driver Shaft Connecting Link (2215) is squarely engaged with the Crank Pin on the stitcher machine and the Driving Slide Pin (2103B) on the stitcher head and that they do not bind. Secure this position with the Bonnet Stud Nut. (HN1213)

After the head is securely attached to the machine, turn the machine over manually or activate it in jog mode, to check that the head operates freely. Until it operates freely, do not run the head under power.

| | |
|---|------------------|
| Always disconnect the power supply before making any adjustments or servicing the head | ⚠ WARNING |
|---|------------------|

Operation

Wire Threading (Figures 4 & 5)

1. Disengage the Swivel Operating Spring (2155A) and remove the Swivel (9038A or 9038M) from the stitcher head.

2. Pass the wire from the Spool over the Wire Guide Spring Assembly (2133A), between the Guide Spring Studs (2110B) and under the flanges of the Wire Straightener Rollers (9103) on the Spring as well as between the Wire Straightener Eccentric Roller (9065) and the Wire Straightener Rollers on the Face Plate (2146CA).

3. Continue to pull the wire through the Tension Pawl (9098) and through the hole in the Face Plate, located at the top of the Wire Cutter (9048) Holder and through the Swivel Holder (9043B or 2147). At this point, do not worry if the wire is not fed between the Grip (9015) and the Grip Holder area.

NOTE: The Tension Pawl will hold the wire in the Wire Straightener Roller's (9103) groove. This will allow the wire to feed through the Head but not allow it to "back-up."

4. Pull enough wire through the bottom of the Head to clear away what was bent in the threading process.

5. With the Swivel still removed, power the stitcher machine on and complete one cycle under power to allow the wire to automatically thread between the Grip and the Grip Holder. This will also cut off any excess wire below the Cutters.

NOTE: Hold the Swivel operating Spring away from the Swivel Holder so as not to damage it.

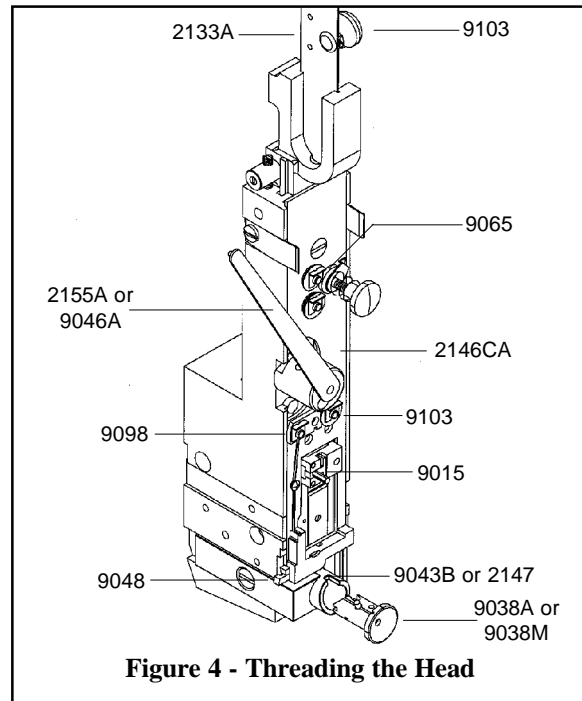


Figure 4 - Threading the Head

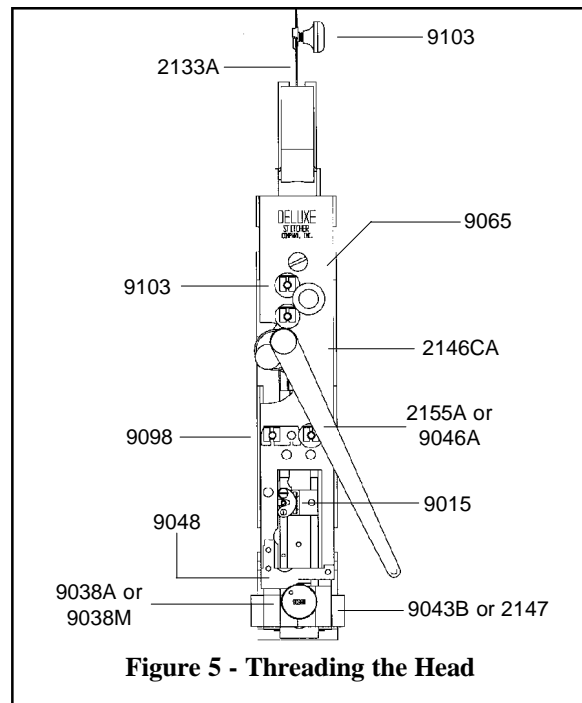
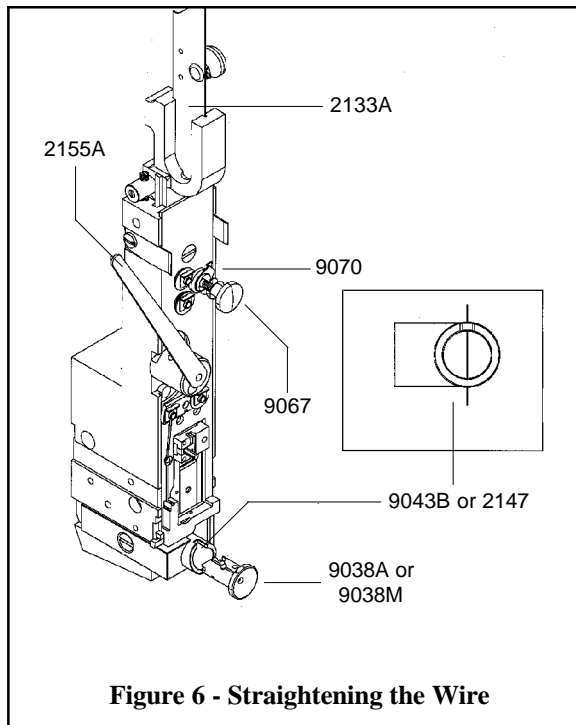


Figure 5 - Threading the Head

Wire Straightening (Figure 6)

In order to ensure the stitches are loaded, driven and clinched properly in addition to ensuring continuous operation of the 26 style heads, it is important that the wire enters the Swivel (9038A or 9038M) in straight vertical line. Wire straightness is the single biggest factor for ensuring good stitches and stitcher head reliability. Although straightness is set at the factory, every roll of wire has varying degrees of twist which make it necessary for the user to properly straighten the wire prior to production **as well as during normal production**. Follow the steps for straightening wire listed below.



Right-to-Left Adjustment

Disengage the Swivel Operating Spring (2155A) from the Swivel (9038A or 9038M) and remove the Swivel. Rotate the Operating Spring to a 10 o'clock position and remove it as well. **On A Style heads, remove the Swivel Operating Hub (9163) as well.** Activate the stitcher and observe the feeding of the wire through the Swivel Holder (9043B or 2147) and take note of the direction the wire is moving. Use the Wire Straightener Eccentric Nut (9067) on the Face Plate (2146CA) to adjust the wire. If the wire is feeding to the left, turn the Wire Straightener Eccentric Nut counter-clockwise. If the wire is feeding to the right, turn the Eccentric Nut clockwise. Allow enough wire to be fed through the Head so that an accurate assessment can be made. After an adjustment is made it take approximately four to six stitches to take effect.

The Pointer, (9070) attached to the Wire Straightener Eccentric Nut, and the graduated markings on the Face Plate provide a reference point for straightening the wire. The numbers have no real value though and will vary from head to head and with each spool of wire.

Front-to-Back Adjustment

If the wire is feeding in a straight line (left to right), but tends to curl forward or backward, turn the Wire Straightener Adjustment Nut (9067) on the Wire Guide Spring Assembly (2133A) clockwise or counter-clockwise as required, until the condition is remedied. After the adjustments have been made so that the wire is feeding in a straight line, replace the Swivel and re-engage the Swivel Operating Spring.

Adjusting the Length of the Left Leg (Figure 7)

Once the 26/26D style Stitcher Head has been threaded and the wire straightness has been obtained, it is time to begin stitching. Activate the stitcher machine to load one piece of wire in the Swivel (9038A or 9038M). Even though the 26/26D Stitcher Heads have been tested at the factory, the wire draw adjusted and the legs equalized, the following are directions to make these adjustments if necessary.

If the staple is off-center, meaning one leg is longer than the other, the length of the left leg has to be changed. Loosen, do not remove, the Wire Guide Spring Bracket Screw (9075) and the Wire Guide Adjustment Binder Screw. (1060) Using a screwdriver, turn the Wire Guide Spring Bracket Screw (56) clockwise if a shorter left leg is necessary and counter-clockwise if a longer left leg is necessary. A slight turn of the Adjusting Screw will usually prove sufficient to achieve the desired length. A quarter turn of the Adjusting Screw will make a considerable difference in the length of the staple's leg. Once the desired length has been achieved, tighten the Binder Screw and the Wire Guide Spring Bracket Screw. At this point, the left leg should be approximately one half the width of the crown.

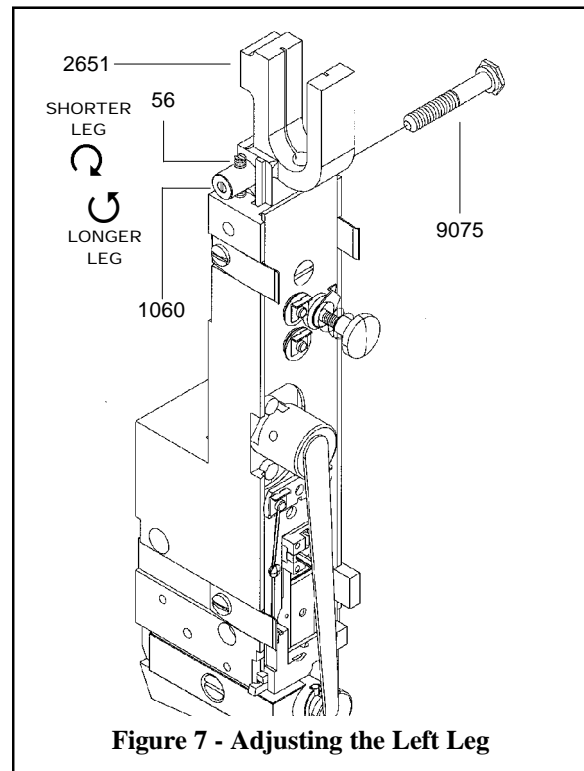


Figure 7 - Adjusting the Left Leg

NOTE: If the staple leg has been lengthened, meaning the Wire Guide Spring Bracket Screw has been turned counter-clockwise, tap down on the Wire Guide Spring Bracket (2651) before tightening the Wire Guide Spring Bracket Screw.

Adjusting the Wire Draw

The overall length of the stitch is controlled by the amount of wire that is drawn from the spool after each stroke of the stitcher machine. To change the overall length of the stitch, the stitcher head's Face Plate has to be raised or lowered accordingly.

2001DHD Series Head (Figure 8)

Loosen the Eccentric Binder Screw found on the stitcher machine behind the right side of the Stitcher Head. Turn the Adjusting Link Eccentric clockwise, which is found in the center of the Face Plate (2146CA). The clockwise turn of the Eccentric will raise the Face Plate, draw more wire from the Spool and make the overall length of the stitch longer. If the overall length of the wire is too long, turn the Adjusting Link Eccentric counter-clockwise to lower the Face Plate and decrease the draw of the wire pulled from the Wire Spool. After the adjustment has been made, tighten the Eccentric Binder Screw on the stitcher machine that was previously loosened. As a rough gauge, the distance the Face Plate is above the Bonnet (2601B) should be equal to the work thickness. This adjustment will have to be made every time the compression setting on the Stitcher Machine is changed.

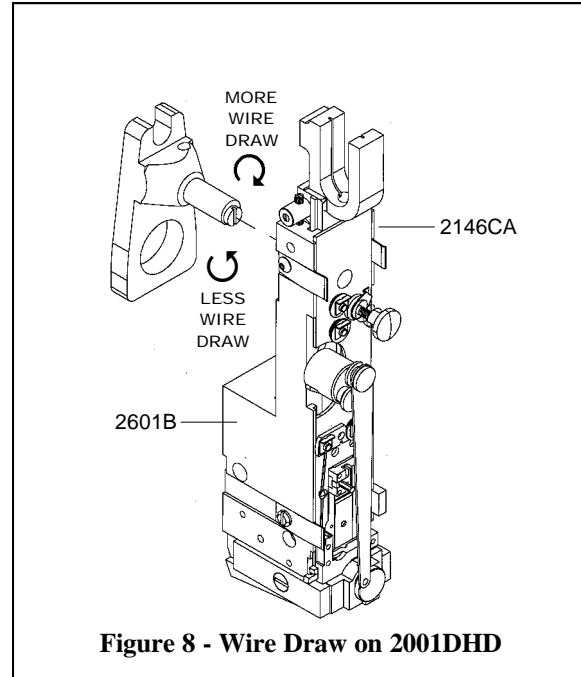


Figure 8 - Wire Draw on 2001DHD

2301DHD Series Head and other Heads without Face Plate Adjusting Slides (Figure 9)

Loosen the Face Plate Locating Screw (2608) found in the center of the Face Plate (2146CA). To increase the overall length of the stitch, raise the Face Plate slightly by applying pressure at the bottom edge of the Face Plate. Use a large screwdriver as a lever under the Wire Cutter (9048) Holder area of the Face Plate. Raising the Face Plate draws more wire from the Wire Spool and increases the length of each staple leg. To shorten the staple legs or draw less wire from the Wire Spool, lower the Face Plate slightly by tapping the top edge of the Face Plate. After adjustments have been made, tighten the Face Plate Locating Screw. As a rough gauge, the distance the Face Plate is above the Bonnet (2601B) should be equal to the work thickness. This adjustment will have to be made every time the compression setting on the Stitcher Machine is changed.

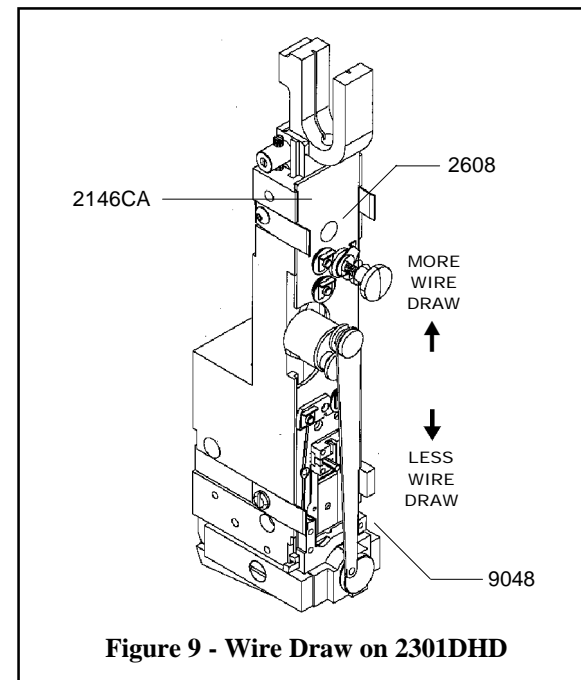
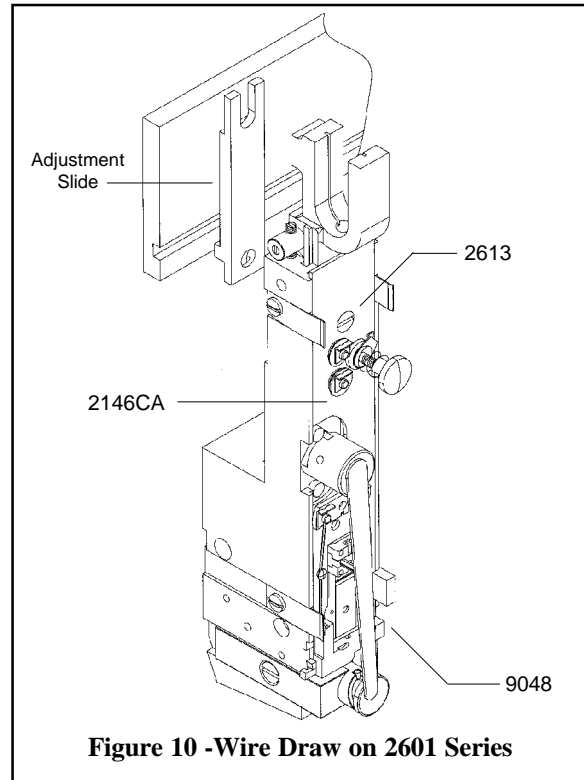


Figure 9 - Wire Draw on 2301DHD

2601AHD, 2601DHD and 2601EHD Series Heads (Figure 10)

Loosen the Face Plate Adjusting Slide Nut (2613) found in the center of the Face Plate (2146CA). To increase the overall length of the stitch, raise the Face Plate slightly by applying pressure at the bottom edge of the Face Plate. Use a large screwdriver as a lever under the Wire Cutter (9048) Holder area of the Face Plate. Raising the Face Plate draws more wire from the Wire Spool and increases the length of each staple leg. To shorten the staple legs or draw less wire from the Wire Spool, lower the Face Plate slightly by tapping the top edge of the Face Plate. After the adjustments have been made, tighten the Face Plate Locating Screw. As a rough gauge, the distance the Face Plate is above the Bonnet (2601B) should be equal to the work thickness. As a rule, this adjustment should only have to be made once since this style Head automatically adjusts itself when the compression setting of the Stitcher machine is changed. Some minor modifications may have to be made for individual jobs though.



Make sure all guards are in place before operating the stitcher head

⚠ WARNING

Adjusting the Clincher Points

2001DHD and 2601AHD, 2601DHD and 2601EHD Series Heads (Figure 11)

The final position of the Clincher Points* (round or flat, thick or thin) should be flush, or slightly above flush, with the Clincher Plate* (round or flat, thick or thin) in order to achieve a quality stitch. The best way to see the position of the Clincher Points is to manually turn the stitcher machine over. When the Driver* (depending on the wire gauge being used) is at the lowest position of its stroke, the Clincher Points are at their highest position. Turn the stitcher machine just past this point to reveal the Clincher Points' position. Clincher Points that do not pivot high enough will produce a weak clinch, where Clincher Points that pivot too high will cause poor stitch quality or cut the stock being stitched.

* For a complete list of wear parts and replacement parts based on wire gauge and crown size, see page 46 of this manual.

If the clinch on the staple is not tight enough, the Clincher Points (9083A) have to be raised, assuming the Stitcher machine's compression setting is correct. If the legs of the staple are being pushed back through the stock, the Clincher Points are set too high and have to be lowered. These adjustments are specific to each stitcher machine and cannot be fully explained in this manual, since many Machines have Clincher Lever adjustments built in. Consult the stitcher machine's operating manual for complete Clincher Point adjustment instruction. This is especially useful when using non-adjustable Clincher Plates. If the machine is using an Adjustable Clincher Plate, like the one shown in **Figure 11**, adjust the Clincher Points as follows. Loosen the Set Screw (UA4808.7) on the top of the Clincher Slide (9084B). Turn the Clincher Slide Adjustment Screw (9087) clockwise to lower the Clincher Points and turn the Clincher Slide Adjustment Screw counter-clockwise to raise the Clincher Points. Once the Clincher Point height is set, tighten the Set Screw on the front of the Clincher Slide.

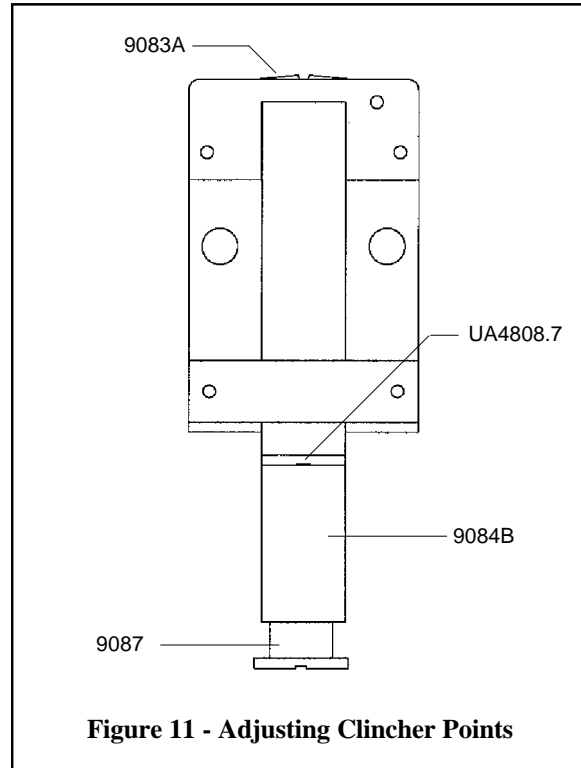


Figure 11 - Adjusting Clincher Points

Refer to the complete list of wear parts for the 26/26D style Stitcher Head, found in the back of this manual on page 50. The Clincher Points and Clincher Plates necessary for a quality stitch are specific to the crown size and wire gauge size used in each stitcher head.

2301DHD Series Head (Figure 12)

This style stitcher head does not utilize moving Clincher Points, but rather a solid Clincher Plate. The legs of each stitch are bent when the wire is pushed through the stock and hits the Clincher Plate, as opposed to the Clincher Points in moveable Clincher Plates coming up to meet the wire. The resulting stitch will not lay as flat as one clinched with moving Clincher Points though.

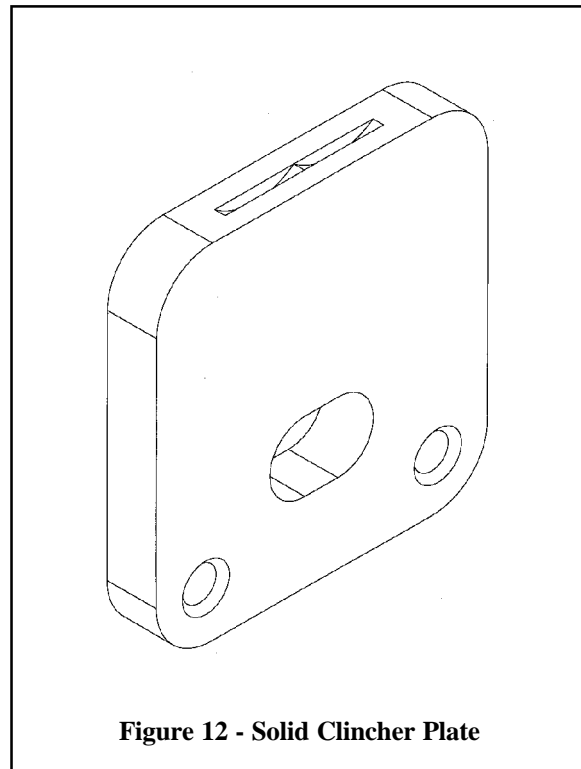
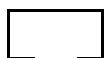
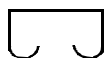


Figure 12 - Solid Clincher Plate



FLAT CLINCH



SOLID CLINCH

Maintenance

Your 26/26D Stitcher Head has been fully lubricated at the factory, but to insure continuous superior operation and a longer life of the head, the operator should be sure that the heads are lubricated regularly and carefully maintained. The operator should periodically inspect all moving parts for signs of wear and when required, replace the worn parts. Parts such as the Wire Cutters, the Grip, the Tension Pawl and the Driver are subject to wear and have been so designed to be reversible to provide duplicate cutting and gripping surfaces. If after continuous usage, the original cutting or gripping surfaces of any of these parts show signs of wear, their position in the head can be reversed, thereby providing a new surface and lengthening the life of the part. For a complete list of wear and replacement parts for your 26/26D style Stitcher Head, refer to page 50 in the back of this manual.

The following instructions are provided so that the operator will clearly understand how to lubricate the Stitcher Heads and how to identify and remove any of the parts which may need to be replaced.

Always disconnect the power supply before making any adjustments or servicing the head.

⚠ WARNING

Lubrication (Figure 13)

Use any standard S.A.E. #10 oil for lubricating the heads. Heads that are in constant operation should be lubricated daily. Heads that are operated periodically should be lubricated every five pound wire spool change or every month, whichever comes first. Usually, only a drop of oil is required at each lubrication point. Care must be taken that those parts of the head that contact the work to be stitched are free of oil. Lubricate regularly instead of excessively. Excessive oiling will result in work becoming spotted with oil. Use one drop of oil in the following lubrication points:

- the top of the Bonnet (2601B) on either side of the Wire Guide Spring Bracket (2651).
- the oil hole in the Swivel Operating Lever Hub (2154).
- the oil holes in the Face Plate (2146CA).
- on the Bender Bar Latch (9014) and on the Grip (9015).
- the opening in the Swivel Holder (2147 or 9043B).
- where the Clincher Points pivot.
- the hole in the Wire Cutter (9048) Holder.
- on the Wire Straightener Rollers (9065) and Tension Pawl (9098).

2001DHD and 2301DHD styles only

- the oil hole in the Driving Shaft Connection Link (2215)
- the diameter of the Swivel (9038A or 9038M)

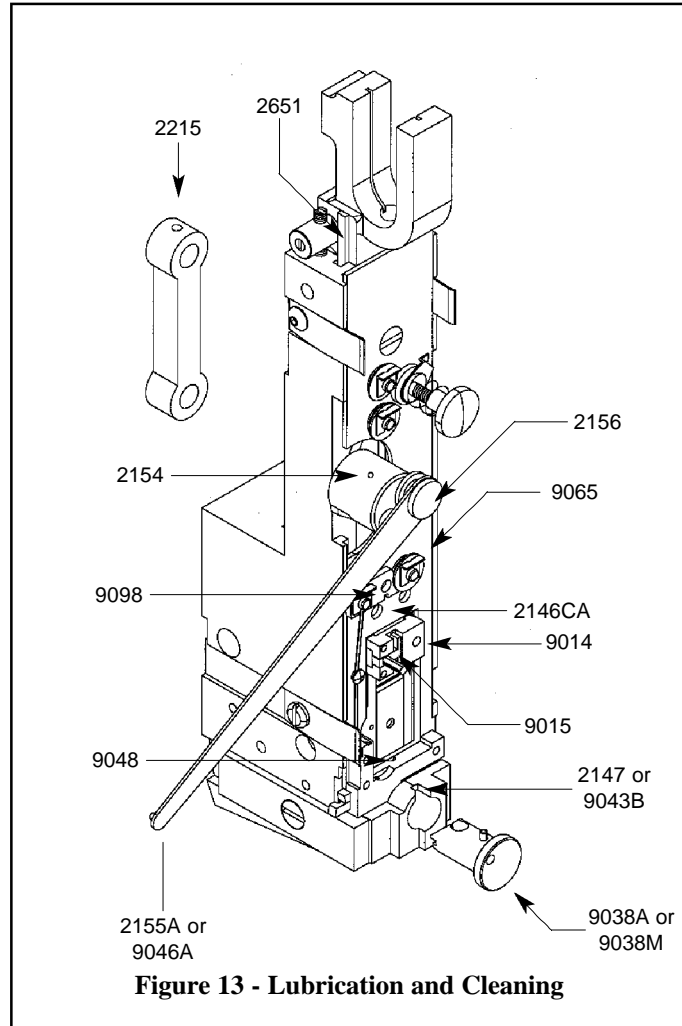


Figure 13 - Lubrication and Cleaning

Cleaning (Figure 13)

In addition to proper lubrication, routine cleaning is important for the maintenance of your 26/26D Head. The entire Head should be torn down and rebuilt every three months and the following areas should be cleaned once a month:

- **Swivel Assembly (9038A or 9038M):** remove and wash in an oil-dissolving solvent, dry and relubricate.
- **Swivel Holder (2147 or 9043B):** clean inside the Swivel hole.
- **Swivel Operating Lever Hub and Stud:** remove the Swivel Operating Spring (2155A or 9046A), Lever (2151A) and/or Lever Hub (2154). Clean the Swivel Operating Spring Stud (2156) and the hole in the Hub, relubricate and replace.

Note: Use care when replacing the Swivel Operating Lever and/or Lever Hub to avoid serious damage being done to the head.

- **Anywhere that dust, oil or pieces of wire and paper have built up** - for example: the Grip, Clincher Points and around the Wire Straightener Rollers.

Ordering Spare Parts

In time, you will need to replace some parts in your 26/26D style Stitcher Head. When this happens, first locate the needed part in one of the following diagrams. Then locate the DeLuxe/Bostitch part number and contact your Graphic Arts Representative to order the part by the part number, description and quantity.

Always power down the stitcher machine before any maintenance or adjustments are made to the stitcher head.

CAUTION

Replacing Spare Parts (Figure 14)

The following are some of the more common wear parts which will need to be removed and replaced in your 26/26D style Stitcher Head. Some common replacement parts do not require the Stitcher Head to be removed from the stitcher machine. These parts will be addressed first, then a more specific explanation for disassembling and replacing wear parts for the 26/26D Stitcher Head will follow.

Removing and Replacing the Wire Cutters Figure 15

The Wire Cutters (9048) have four cutting surfaces, each of which may be used by reversing the ends and positioning in the Face Plate (2132BA or 2146CA). Worn Cutters can cause poor stitch quality. To

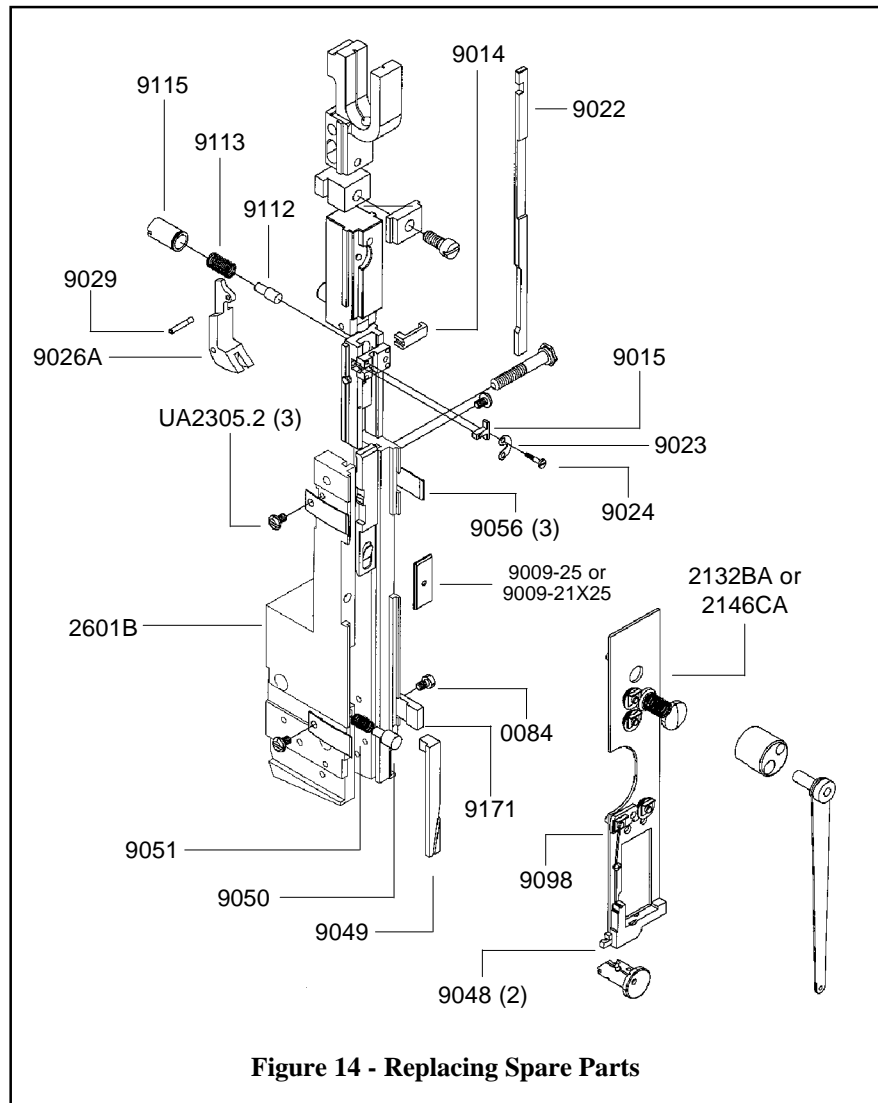


Figure 14 - Replacing Spare Parts

change or reverse the Wire Cutters, remove them from the Face Plate. Loosen the Screws (UA2305.2) securing the Face Plate Clips (9056) and the Screw (0084) securing the Solid Face Plate Clip (9171). Once the clips are loosened, the Face Plate can be tilted away from the Bonnet (2601B) to remove the Wire Cutters. This may be a good time to check for wear on the Wire Cutter Operating Slide Friction Plug (9050) and Friction Plug Spring (9051) and replace if necessary. Slide the existing or new Wire Cutters into the cutter holder in the Face Plate, with the tongue of the upper Cutter facing the Face Plate and the tongue of the lower cutter facing the Wire Cutter Operating Slide. Before tightening the Face Plate Clip Screws and the Solid Face Plate Clip Screw, make sure that each Cutter has slipped into position in the Face Plate and in the Wire Cutter Operating Slide. (9049) Press the Face Plate under the Face Plate Clips and tighten the Face Plate Clip Screws. Always cycle the stitcher machine manually before switching the power on to ensure free mechanical movement. This will prevent serious damage to both machine and stitcher head.

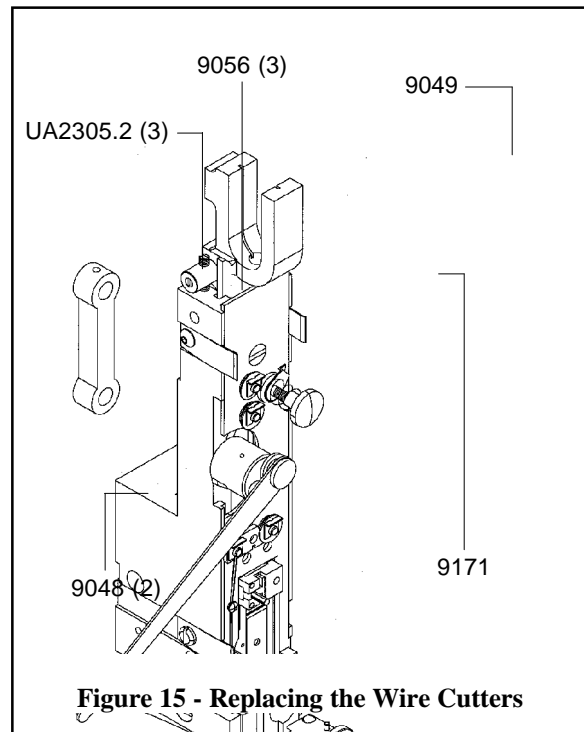


Figure 15 - Replacing the Wire Cutters

After replacing or installing new parts, rotate the Drive Pulley manually to check for free movement.

⚠ CAUTION!

Removing and Replacing the Tension Pawl (Figure 16)

The Tension Pawl (9098) is double-ended so that when one end is worn, it can be reversed, increasing the life of the part by providing a new gripping surface. A worn Tension Pawl may cause inconsistent wire draw. To remove the Tension Pawl, disengage the Tension Pawl Spring (9134) from the Tension Pawl and remove the Wire Straightener Roll Clip (9124). Flip the Tension Pawl over so that a new surface is in contact with Wire Straightener Roller (9103) and replace the E-clip. Make sure that the Tension Pawl is under the flange in the Wire Straightener Roll before re-engaging the Tension Pawl Spring. If both ends of the Pawl are worn, replace the part.

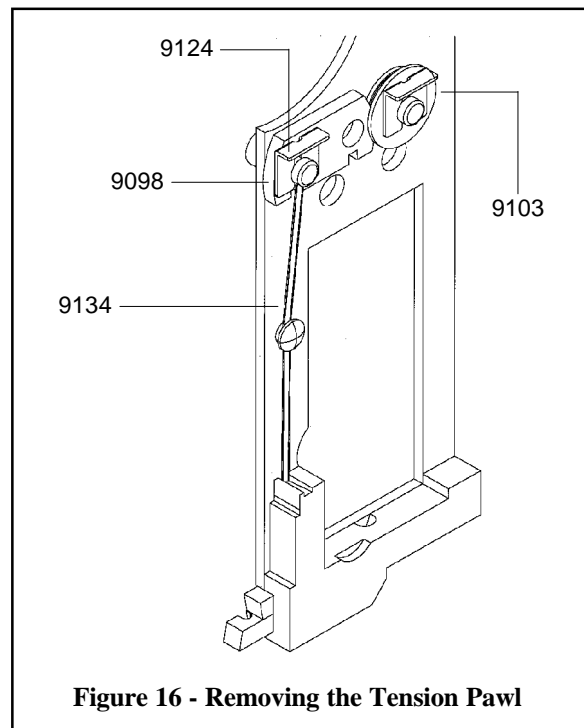


Figure 16 - Removing the Tension Pawl

Removing and Replacing the Grip (Figure 17)

The Grip (9015) can be used in two positions so that when the gripping teeth show signs of wear, it may be reversed to extend the life of the part. A worn Grip may cause inconsistent wire draw. Loosen the Grip Retaining Clip Screw (9024) and swing the Grip Retaining Clip (9023) out of the way. Remove the Grip and reverse its position within the Grip Holder. If both edges are worn, replace the part.

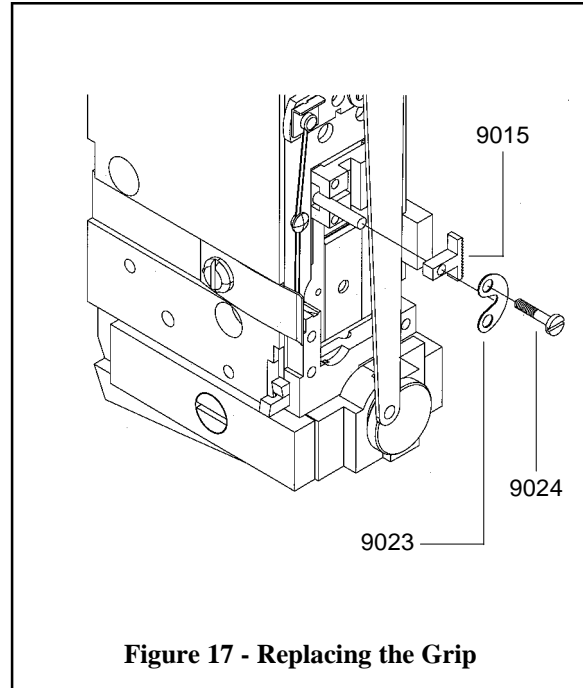


Figure 17 - Replacing the Grip

Removing and Replacing the Driver (Figure 18)

The Driver (9009-25*) is also double-ended so that when it is worn, it can be reversed to provide a new driving surface and increase the life of the part. A worn Driver end may cause poorly formed crowns. Cycle the stitcher machine manually until the Driver is at the top of its stroke. Insert the supplied Driver Release Pin (5160) into the hole in the Driver. This will depress the Driver Retaining Spring (9010) so that you will be able to push the Driver down along the Bender Bar (9013BA-25) until it can be pulled out from the bottom of the Head. Either reverse the existing Driver or replace it with a new one. Slide the Driver back up through the Bender Bar until you hear the Driver Retaining Spring click, indicating that the Driver is in its correct position.

* See pages 46-48 for a complete list of parts in variable crown and wire sizes

Disassembling the Stitcher Head (Figure 19)

Remove the 26/26D style Stitcher Head from the stitcher machine. On 2601AHD, 2601DHD and 2601EHD series heads, loosen the Bonnet Clamp Eccentric Handle (9003A) and remove the Stitcher Head from the Bonnet Clamp Block (9002). On 2001DHD and 2301DHD series heads, loosen and remove the Bonnet Stud Nut (HN1213) while supporting the Head. Remove the Head from the stitcher machine and place it on a clean work area.

Loosen, but do not remove, the Screws securing the Face Plate Retaining Clips. With the Face Plate Clips hanging loosely from the Bonnet, remove the Face Plate paying special attention to the loose Wire Cutters (9048). Remove the Wire Cutter Operating Slide, the Wire Cutter Operating Slide Friction Plug,

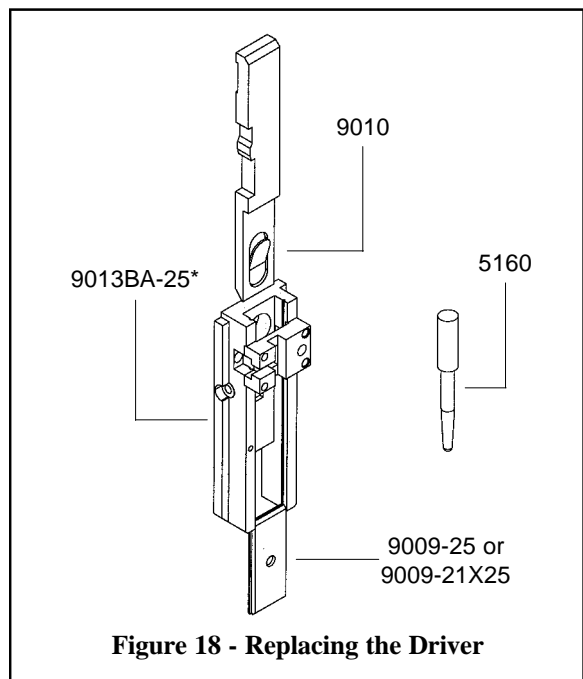


Figure 18 - Replacing the Driver

* Parts shown in outline are separated for identification purposes only.

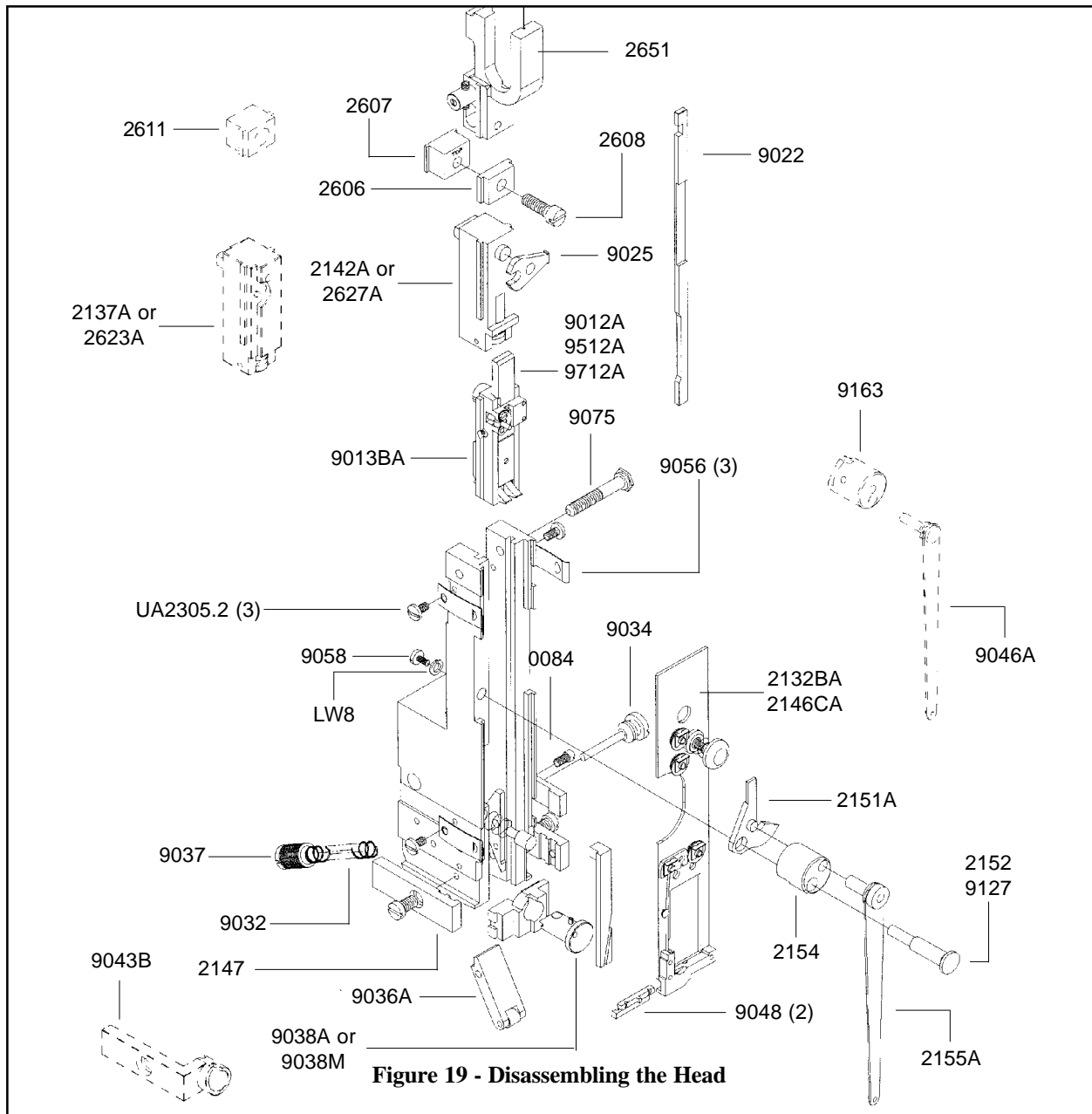


Figure 19 - Disassembling the Head

the Wire Cutter Operating Slide Friction Spring and place these pieces along side of the Bonnet. Release the Swivel (9038A or 9038M) from the Swivel Holder (2147 or 9043B) by lifting the Swivel Operating Spring (2155A or 9046A) off of the Swivel. Continue to rotate the Spring upward until it can be released from the Swivel Operating Lever Stud (2152 or 9127); until it is approximately at an 11 o'clock position. Remove the Swivel Operating Lever Hub (2154) from the Stud. The 26D style Heads have a Screw (9058) securing the Stud to the Bonnet, thus securing the Hub to the Bonnet as well. Remove this Screw in order to remove the Stud and Swivel Operating Lever (2151A). Remove any accessories at this time in addition to the Swivel Holder.

Remove the Grip Release Slide Lever (9025) and Grip Release Slide (9022) and set them aside. Loosen and remove the Wire Guide Spring Bracket Screw (9075), which will release the Wire Guide Spring Bracket (2651) from the top of the Bonnet. Loosen the Face Plate Locating Screw (2608) and slide the Face Plate Adjustment Slide Block (2611) or the Face Plate Lock Clamp (2606) and Lock Block (2607) out the top of the Bonnet. The Driving Slide Assembly Link (2142A or 2627A) will be free to slide out of the top of the Bonnet now as well as the Bender Bar Assembly (9013BA). Loosen and remove the Supporter Spring Lever Bushing (9037) as well as the Supporter Spring (9032). The Supporter Spring Lever Assembly (9036A) will now be swinging freely within the Bonnet. Loosen and remove the Supporter Spring Lever Screw (9034) to remove the Lever Assembly from the Bonnet.

Any of these assemblies can now be taken apart for cleaning or repair. The Bonnet itself can also be cleaned or checked for damage. Most common wear parts can be exchanged while the Head is still assembled though. Reassembling the Head is as simple as reversing the method used to disassemble the Head. Always turn the machine over manually anytime repairs or adjustments are made for the safety of both the operator and the Stitcher Head.

Re-assembling the Stitcher Head (Figure 19)

1. Insert the Supporter Spring Lever Screw (9034) through the Supporter Spring Lever Assembly (9036A) and into the Bonnet. Grease one end of the Supporter Spring and insert it into the Supporter Spring Lever Bushing (9037). Insert both the Spring and Bushing into the back of the Bonnet but do not tighten the Bushing completely at this point.
2. Start the Bender Bar Assembly (9013BA) into the top of the Bonnet. Hook the Driver Bar Assembly (9012A, 9512A or 9712A) in the notch of the Driving Slide Assembly Link (2137A, 2142A, 2623A or 2627A) and finish guiding both assemblies between the rails of the Bonnet.
3. Slide the Face Plate Lock Clamp (2606) and Block (2607) or the Face Plate Adjustment Slide Block (2611) into the top of the Bonnet but do not tighten the Face Plate Locating Screw at this point. Next, slide the Wire Guide Spring Bracket (2651) into the top of the Bonnet and secure it with the Wire Guide Spring Bracket Screw (9075).
4. Secure the Grip Release Slide Lever (9025) on the Pivot Pin on the Wire Guide Spring Bracket. Oil the right rail of the Bonnet slightly, engage the Lever in the notch of the Grip Release Slide (9022) and rest the Slide on the rail of the Bonnet.
5. Grease one end of the Wire Cutter Operating Slide Friction Spring (9051) and the Wire Cutter Operating Slide Friction Plug (9050) and insert both into the Bonnet. Rest the Wire Cutter Operating Slide (9049), along the left Bonnet rail, on the Friction Plug. Secure the Swivel Operating Lever (2151A), the Swivel Operating Lever Hub (2154) and the Swivel Operating Lever Stud (2152 or 9127) to the Bonnet. Verify the orientation is correct.
6. Secure the Face Plate (2132BA or 2146CA), with the Wire Cutters (9048), to the Bonnet by tightening the Screws (UA2305.2 and 0084) securing the Face Plate Clips (9056 and 9171). Make sure the internal assemblies move freely before mounting the Head on a Machine.

Troubleshooting (Figure 20)

The quality and quantity of work that can be produced with the 26/26D Stitcher Head is dependent upon the operator making all adjustments as accurately as possible and carefully maintaining the head. The cause of staple imperfections usually can be traced to inaccurate settings or normal wear of moving parts. In the event of trouble of this nature occurring, the operator can, by referring to the following troubleshooting chart, quickly locate and remedy the cause or causes of the trouble. The following is a brief list of problems and solutions which should cover the majority of situations encountered when stitching with the 26/26D Stitching Head.



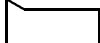

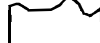
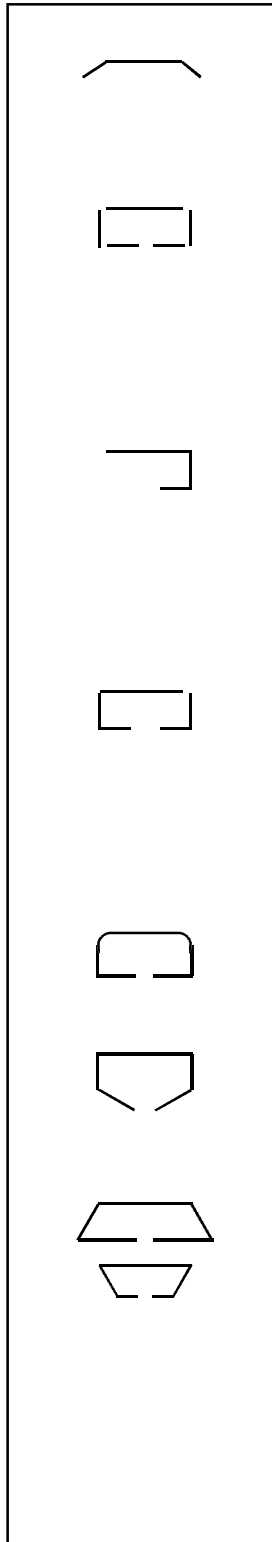
| | |
|---|---|
|  | <p>PROBLEM: Left Leg Short SOLUTION: Lengthen the left leg. (See page 14) Check the Grip for wear and clean, rotate or replace it if needed. (See page 22)</p> |
|  | <p>PROBLEM: Right Leg Short SOLUTION: Shorten the left leg to match the right leg, then adjust both legs to desired length by adjusting the Face Plate. (See page 15)</p> |
|  | <p>PROBLEM: Corner Buckled SOLUTION: Check the Driver (9009-wire size) for a chipped corner and rotate or replace it if needed. (See page 22) Check the tensile strength of the wire or use thicker wire.</p> |
|  | <p>PROBLEM: Leg(s) Buckled SOLUTION: If the ends of an unformed piece of wire are not smooth, the Wire Cutters (9048) are worn. Check for wear and rotate or replace if needed. (See page 20) Make sure the correct wire size is being used and that the wire is straight.</p> |
|  | <p>PROBLEM: Crown Bent or Buckled SOLUTION: Check Supporter Spring (9032) tension, adjust the Supporter Spring Lever Bushing or replace the Spring if needed. Check for correct wire size being used. Check for correct work thickness setting. Make sure there is not too much chamfer on the Swivel or that it is worn.</p> |

Figure 20 - Troubleshooting



PROBLEM: Partially Formed Stitches

SOLUTION: Replace the worn Driver Bar Latch (9014) or Driver Bar (9012A). The Grip Spring (9019) could be worn or broken, replace it.

PROBLEM: Stitch in Pieces or Right or Left Leg Sheared Off

SOLUTION: Clean and lubricate Swivel (9038A or 9038M). (See page 19) Loosen the Swivel Holder Screw and correct the alignment between the Swivel Holder and the Bender Bar. If problem persists, file the forming corner of the Swivel slightly with a honing stone.

PROBLEM: Left Leg Missing

SOLUTION: Clean the Grip (9015). Reverse or replace the part if needed. (See page 22) Make sure the Wire Straightener Rollers are not set too tight. Make sure the Tension Pawl is not worn and is pivoting correctly. (See page 21)

PROBLEM: Corner of stitch broken or nearly cut through

SOLUTION: File the forming corner of the Swivel slightly with a honing stone if too sharp. Lower Clincher Points (9083) if too high. (See page 16) Loosen the Swivel Holder Screw and correct the alignment between the Swivel Holder and the Bender Bar.

PROBLEM: Corners of the Crown are Rounded

SOLUTION: Replace the worn Swivel (9038A or 9038M).

PROBLEM: Loose Clinch

SOLUTION: Check thickness setting for work or raise Clincher Points (9083). (See page 17)

PROBLEM: Legs are Spread or Contracted

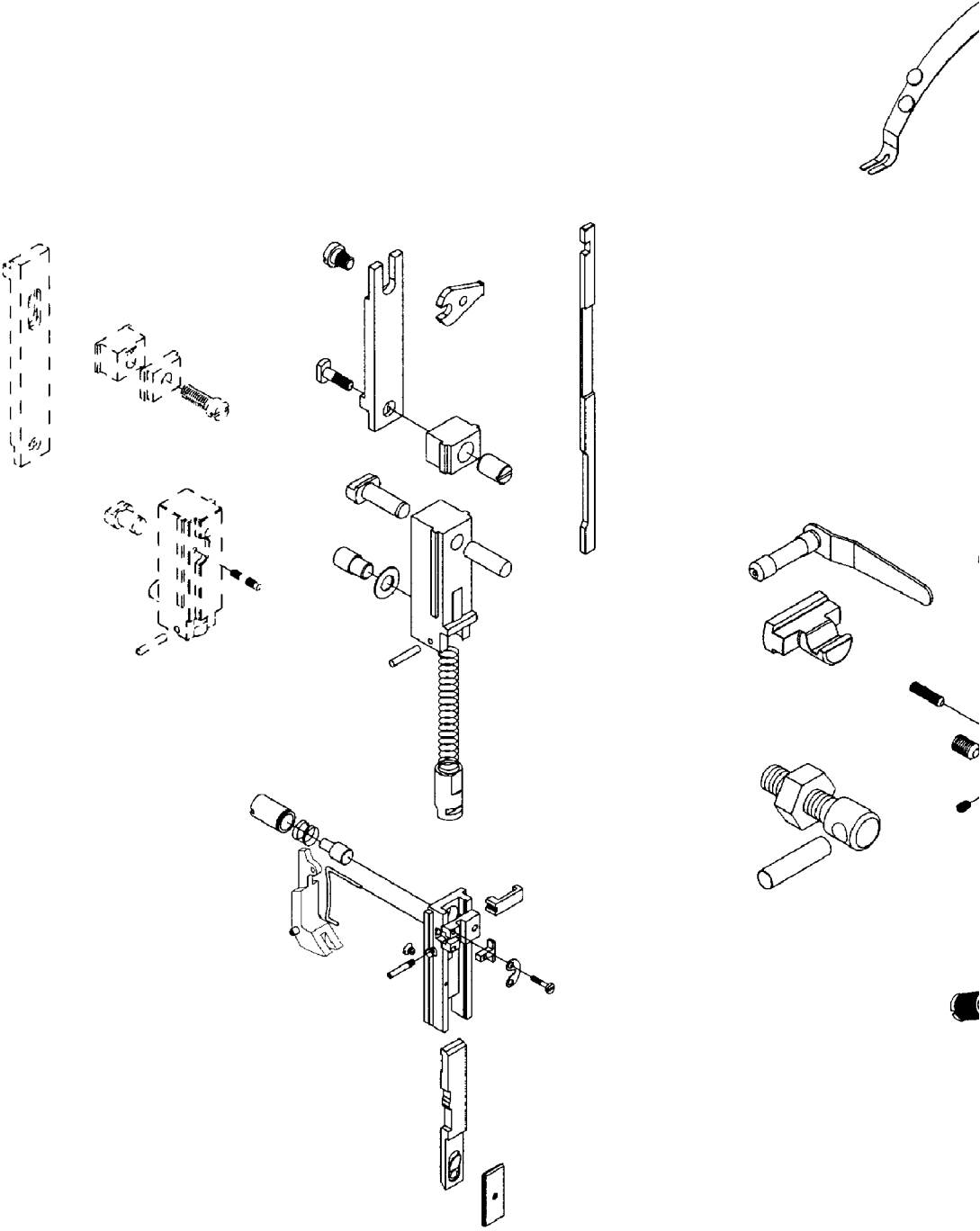
SOLUTION: Re-adjust the Wire Straightener Eccentrics to improve straightness. (See page 13) Check the Wire Cutters for wear and rotate or replace. (See page 20) Check the Bender Bar (9013BA-wire size) for wear in the grooves and replace if necessary.

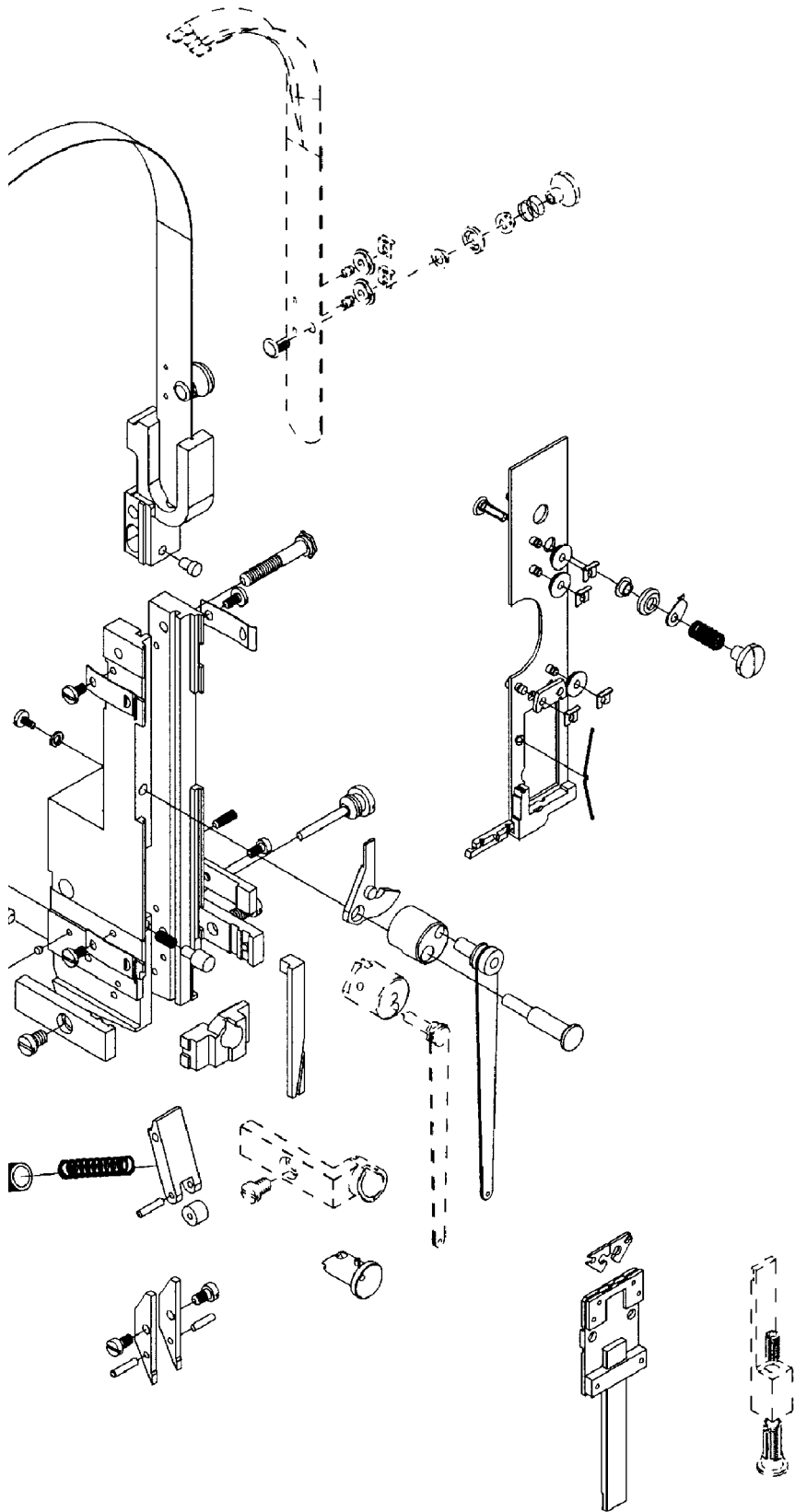
PROBLEM: No wire being drawn

SOLUTION: Lower the Face Plate. (See page 15)

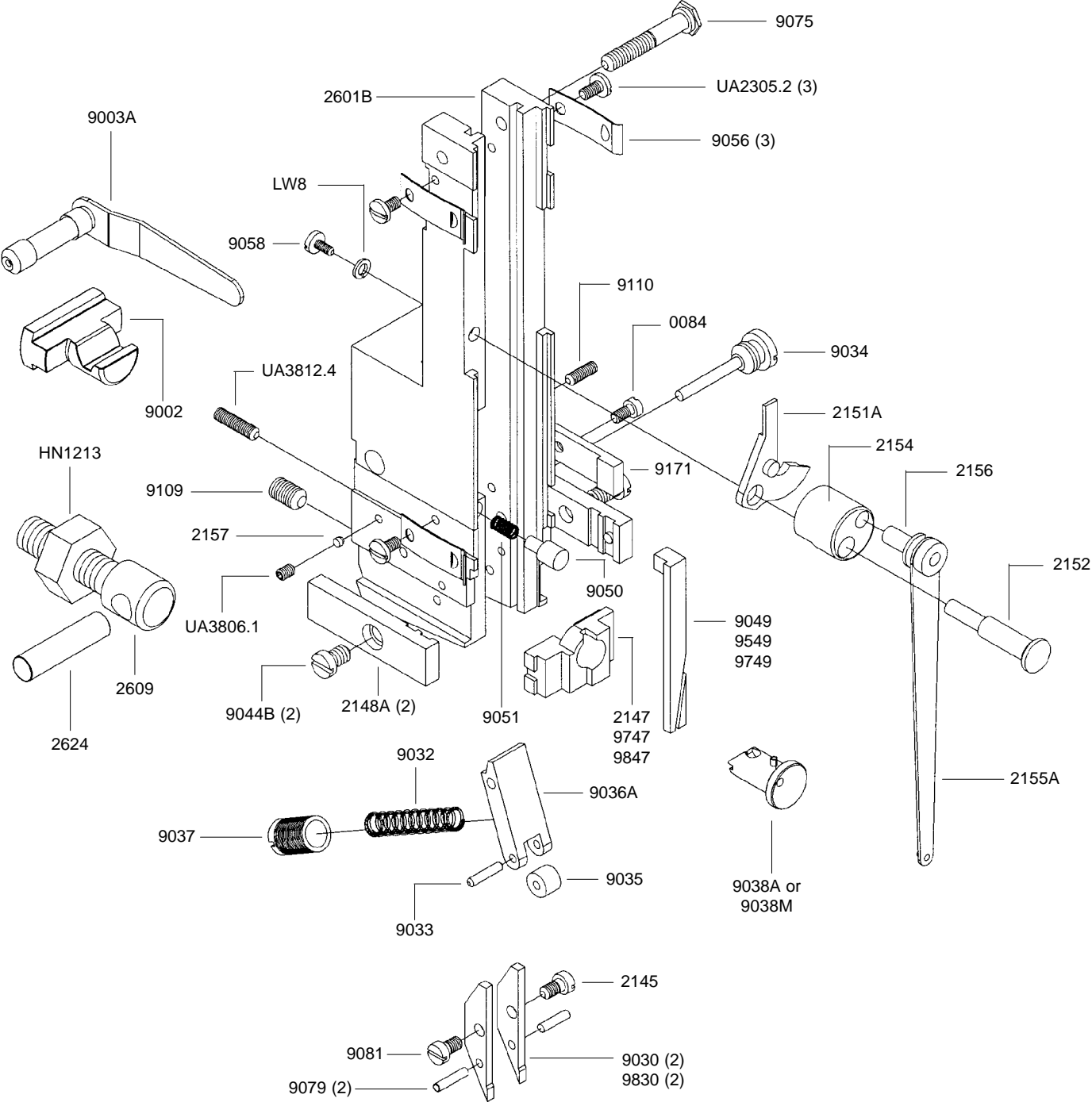
Figure 20 - Troubleshooting

The 26/26D Stitcher Head





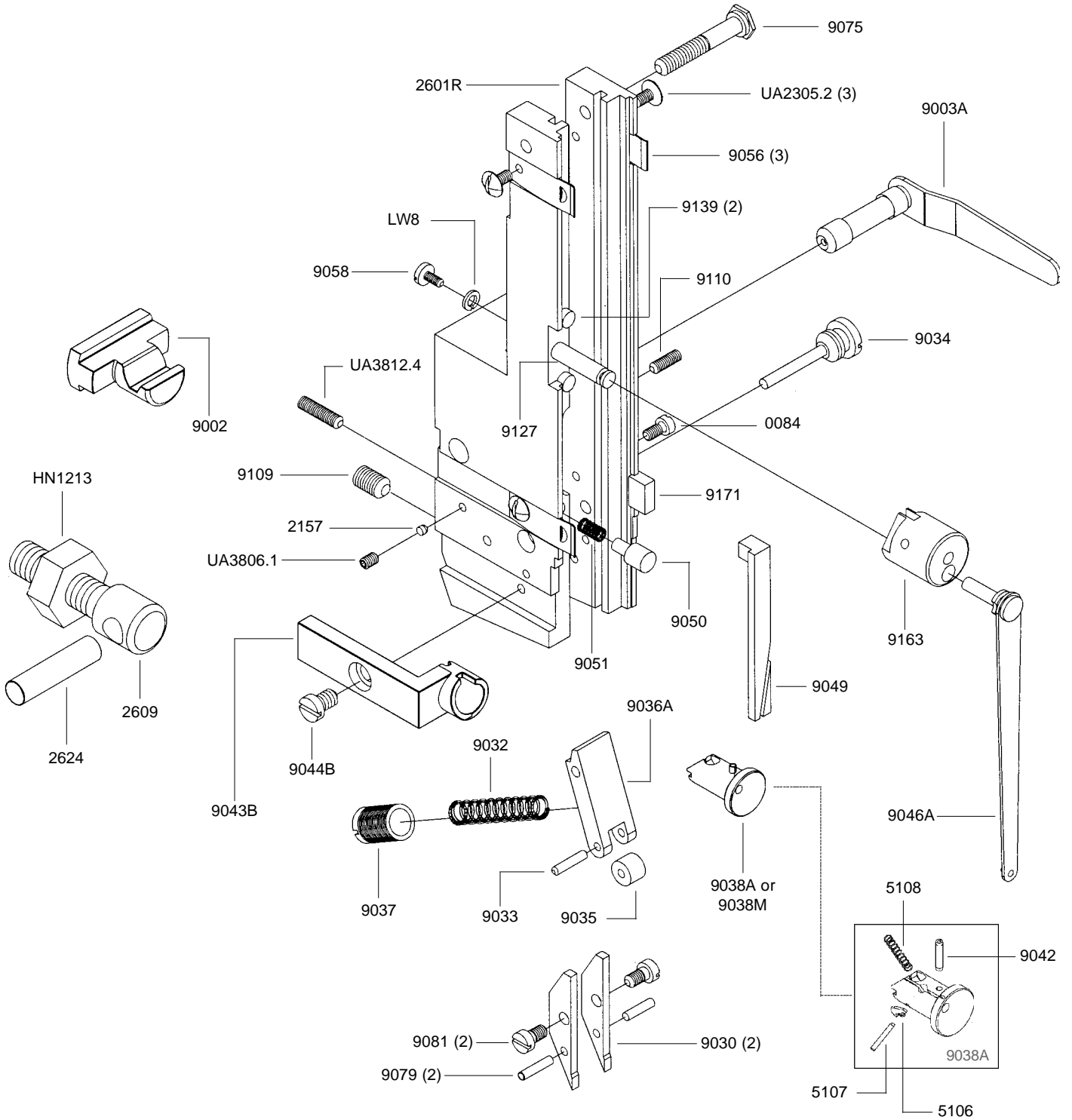
Bonnet Sub-Assembly - "D" Style



Bonnet Sub-Assembly - "D" Style

| ITEM No. | DESCRIPTION | QUANTITY |
|-----------------|-------------------------------------|-----------------|
| 0084 | Solid Face Plate Clip Screw | 1 |
| 2145 | Supporter Guide Plate Screw | 1 |
| 2147 | Swivel Holder (26D) | 1 |
| 2148A | Swivel Holder Clamp (26D) | 2 |
| 2151A | Swivel Operating Lever | 1 |
| 2152 | Swivel Operating Lever Stud | 1 |
| 2154 | Swivel Operating Lever Hub | 1 |
| 2155A | Swivel Operating Spring (26D) | 1 |
| 2156 | Swivel Operating Spring Stud | 1 |
| 2157 | Supporter Lever Lock Shoe | 1 |
| 2601B | Bonnet Sub Assembly | 1 |
| 2609 | Bonnet Binder Stud | 1 |
| 2624 | Bonnet Stud Pin | 1 |
| 9002 | Bonnet Clamp Block | 1 |
| 9003A | Bonnet Clamp Handle | 1 |
| 9030 | Supporter Guide Plate | 2 |
| 9032 | Supporter Spring | 1 |
| 9033 | Dowel Pin | 1 |
| 9034 | Supporter Spring Lever Screw | 1 |
| 9035 | Supporter Spring Lever Roll | 1 |
| 9036A | Supporter Spring Lever Assembly | 1 |
| 9037 | Supporter Spring Lever Bushing | 1 |
| 9038A | Swivel Assembly 1/2 | 1 |
| 9038M | Swivel Magnetic 1/2 | 1 |
| 9044B | Swivel Holder Screw | 2 |
| 9049 | Wire Cutter Operating Slide | 1 |
| 9050 | W/C Operating Slide Friction Plug | 1 |
| 9051 | W/C Operating Slide Friction Spring | 1 |
| 9056 | Face Plate Retaining Clip | 3 |
| 9058 | Swivel Operating Lever Screw | 1 |
| 9075 | Wire Guide Spring Bracket Screw | 1 |
| 9079 | Supporter Guide Plate Dowel | 2 |
| 9081 | Screw | 1 |
| 9109 | Bonnet Alignment Screw | 1 |
| 9110 | Bonnet Screw Binder | 1 |
| 9171 | Solid Face Plate Clip | 1 |
| 9549 | Wire Cutter Operating Slide 3/8 | 1 |
| 9747 | Swivel Holder 5/16 | 1 |
| 9749 | Wire Cutter Operating Slide 5/16 | 1 |
| 9830 | Supporter Guide Plate 5/8 | 2 |
| 9847 | Swivel Holder 5/8 | 1 |
| HN1213 | Bonnet Stud Nut | 1 |
| LW8 | Lock Washer | 1 |
| UA2305.2 | Face Plate Retaining Clip Screw | 3 |
| UA3806.1 | Supporter Lever Lock Screw | 1 |
| UA3812.4 | Supporter Lever Stop Screw | 1 |

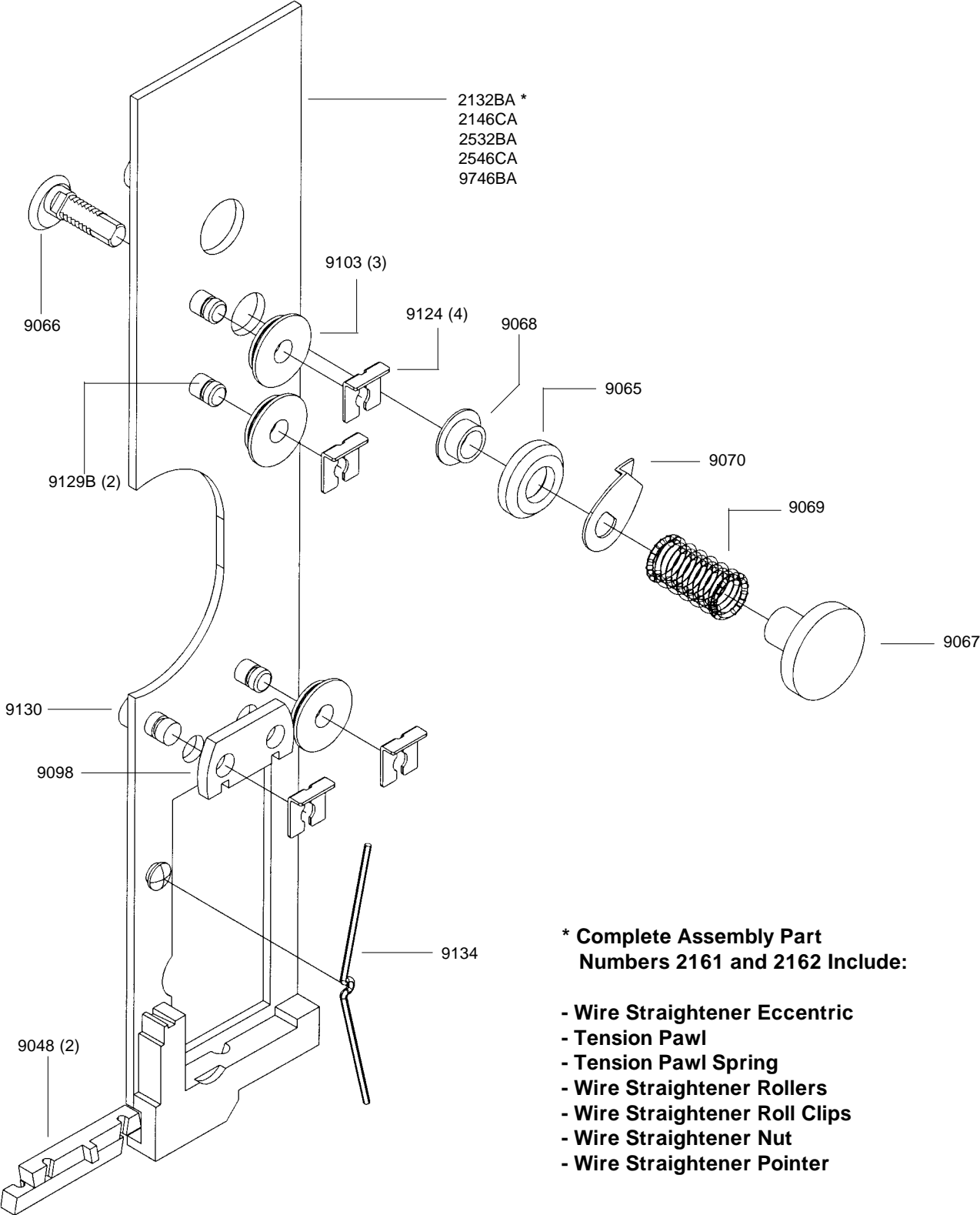
Bonnet Sub-Assembly - "A" Style



Bonnet Sub-Assembly - "A" Style

| ITEM No. | DESCRIPTION | QUANTITY |
|-----------------|-------------------------------------|-----------------|
| 0084 | Solid Face Plate Clip Screw | 1 |
| 2157 | Supporter Lever Lock Shoe | 1 |
| 2601R | Bonnet Sub Assembly | 1 |
| 2609 | Bonnet Binder Stud | 1 |
| 2624 | Bonnet Stud Pin | 1 |
| 5106 | Swivel Hook | 1 |
| 5107 | Swivel Hook Pin | 1 |
| 5108 | Swivel Hook Spring | 1 |
| 9002 | Bonnet Clamp Block | 1 |
| 9003A | Bonnet Clamp Handle | 1 |
| 9030 | Supporter Guide Plate | 2 |
| 9032 | Supporter Spring | 1 |
| 9033 | Dowel Pin | 1 |
| 9034 | Supporter Spring Lever Screw | 1 |
| 9035 | Supporter Spring Lever Roll | 1 |
| 9036A | Supporter Spring Lever Assembly | 1 |
| 9037 | Supporter Spring Lever Bushing | 1 |
| 9038A | Swivel Assembly 1/2 | 1 |
| 9038M | Swivel Magnetic 1/2 | 1 |
| 9042 | Spring Pin | 1 |
| 9043B | Swivel Holder | 1 |
| 9044B | Swivel Holder Screw | 1 |
| 9046A | Swivel Operating Spring | 1 |
| 9049 | Wire Cutter Operating Slide | 1 |
| 9050 | W/C Operating Slide Friction Plug | 1 |
| 9051 | W/C Operating Slide Friction Spring | 1 |
| 9056 | Face Plate Retaining Clip | 3 |
| 9058 | Swivel Operating Lever Screw | 1 |
| 9075 | Wire Guide Spring Bracket Screw | 1 |
| 9079 | Supporter Guide Plate Dowel | 2 |
| 9081 | Screw | 2 |
| 9109 | Bonnet Alignment Screw | 1 |
| 9110 | Bonnet Screw Binder | 1 |
| 9127 | Swivel Operating Lever Stud | 1 |
| 9139 | Swivel Operating Stop Pin | 2 |
| 9163 | Swivel Operating Hub | 1 |
| 9171 | Solid Face Plate Clip | 1 |
| HN1213 | Bonnet Stud Nut | 1 |
| LW8 | Lock Washer | 1 |
| UA2305.2 | Face Plate Retaining Clip Screw | 3 |
| UA3806.1 | Supporter Lever Lock Screw | 1 |
| UA3812.4 | Supporter Lever Stop Screw | 1 |

Face Plate Assembly



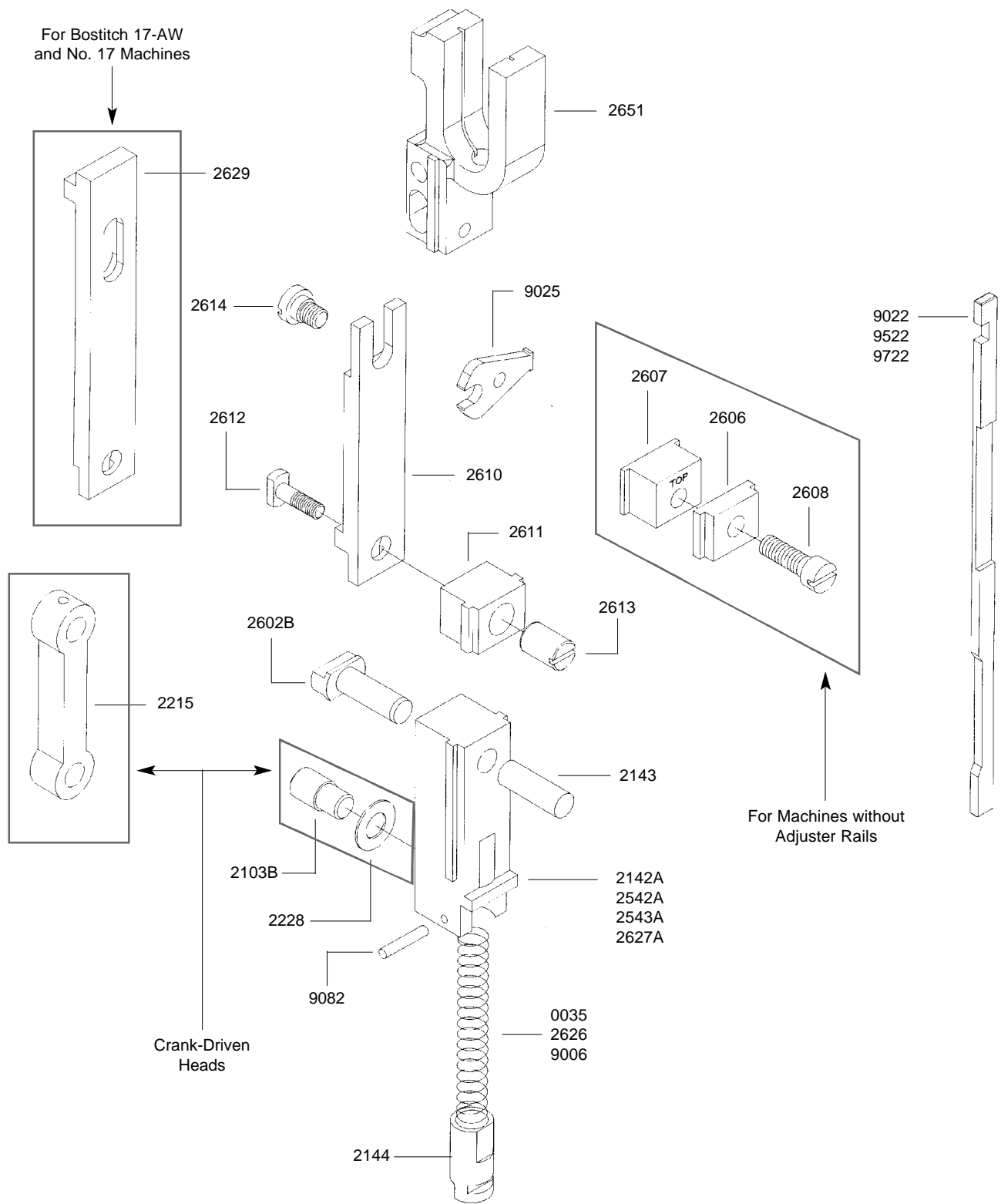
*** Complete Assembly Part Numbers 2161 and 2162 Include:**

- Wire Straightener Eccentric
- Tension Pawl
- Tension Pawl Spring
- Wire Straightener Rollers
- Wire Straightener Roll Clips
- Wire Straightener Nut
- Wire Straightener Pointer

Face Plate Assembly

| ITEM No. | DESCRIPTION | QUANTITY |
|----------|-------------------------------------|----------|
| 2132BA | Face Plate 1/2 (26A) | 1 |
| 2146CA | Face Plate 1/2 (26D) | 1 |
| 2161 | Face Plate Assembly (26) | |
| 2162 | Face Plate Assembly (26D) | |
| 2532BA | Face Plate 3/8 (26A) | 1 |
| 2546CA | Face Plate 3/8 (26D) | 1 |
| 9048 | Wire Cutter | 2 |
| 9065 | Wire Straightener Eccentric Roller | 1 |
| 9066 | Wire Straightener Eccentric | 1 |
| 9067 | Wire Straightener Eccentric Nut | 1 |
| 9068 | Wire Straightener Eccentric Bushing | 1 |
| 9069 | Wire Straightener Eccentric Spring | 1 |
| 9070 | Wire Straightener Eccentric Pointer | 1 |
| 9098 | Tension Pawl | 1 |
| 9103 | Wire Straightener Roller | 3 |
| 9123 | Wire Straightener Roll Stud | 3 |
| 9124 | Wire Straightener Roller Clip | 4 |
| 9129B | Swivel Operating Spring Stud | 2 |
| 9130 | Tension Pawl Rivet | 1 |
| 9134 | Tension Pawl Spring | 1 |
| 9746BA | Face Plate 5/16 (26D) | 1 |

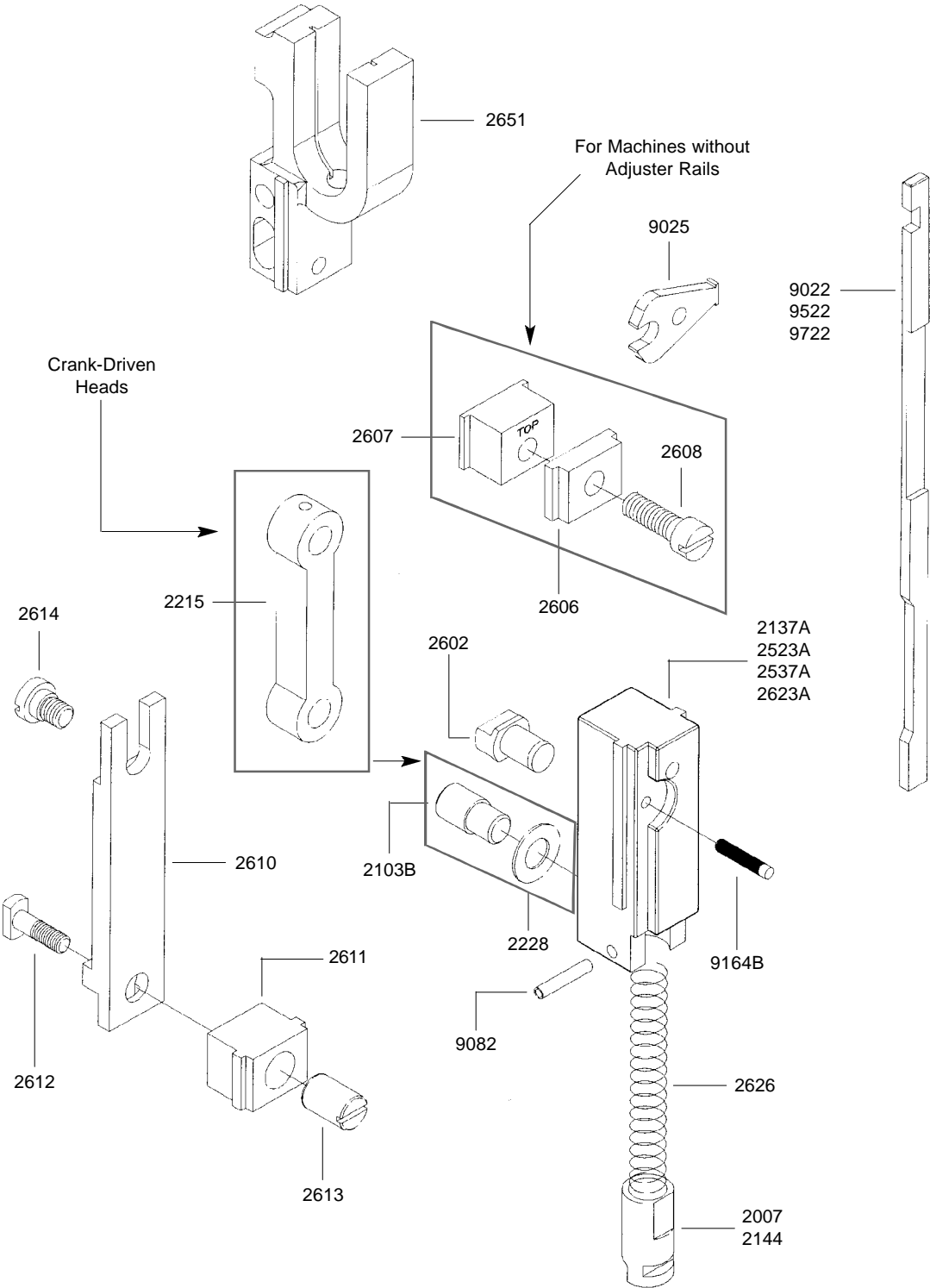
Driving Slide Assembly - "D" Style



Driving Slide Assembly - "D" Style

| ITEM No. | DESCRIPTION | QUANTITY |
|----------|--|----------|
| 0035 | Driving Slide Spring - Heavy | 1 |
| 2103B | Driving Slide Pin | 1 |
| 2142A | Driving Slide Assembly - (Link) | 1 |
| 2143 | Driving Slide Swivel Operating Pin | 1 |
| 2144 | Driving Slide Plunger | 1 |
| 2228 | Driving Slide Pin Washer | 1 |
| 2215 | Driving Shaft Connection Link | 1 |
| 2542A | Driving Slide Assembly 3/8" - (Link) | 1 |
| 2543A | Driving Slide Assembly 3/8" - (Lug) | 1 |
| 2602B | Driving Slide Lug | 1 |
| 2606 | Face Plate Lock Clamp | 1 |
| 2607 | Face Plate Lock Block | 1 |
| 2608 | Face Plate Lock Screw | 1 |
| 2610 | Face Plate Adjusting Slide | 1 |
| 2611 | Face Plate Adjusting Slide Block | 1 |
| 2612 | Face Plate Adj. Slide Block Stud | 1 |
| 2613 | Face Plate Adjusting Slide Nut | 1 |
| 2614 | Face Plate Adj. Guide Slide Stud | 1 |
| 2626 | Driving Slide Spring - Medium | 1 |
| 2627A | Driving Slide Assy 5/16", 1/2", 5/8" - (Lug) | 1 |
| 2629 | Face Plate Adjustment Slide | 1 |
| 2651 | Wire Guide Spring Bracket | 1 |
| 9006 | Driving Slide Spring - Light | 1 |
| 9022 | Grip Release Slide | 1 |
| 9025 | Grip Release Slide Lever | 1 |
| 9082 | Driving Slide Spring Lock Pin | 1 |
| 9522 | Grip Release Slide 3/8" | 1 |
| 9722 | Grip Release Slide 5/16" | 1 |

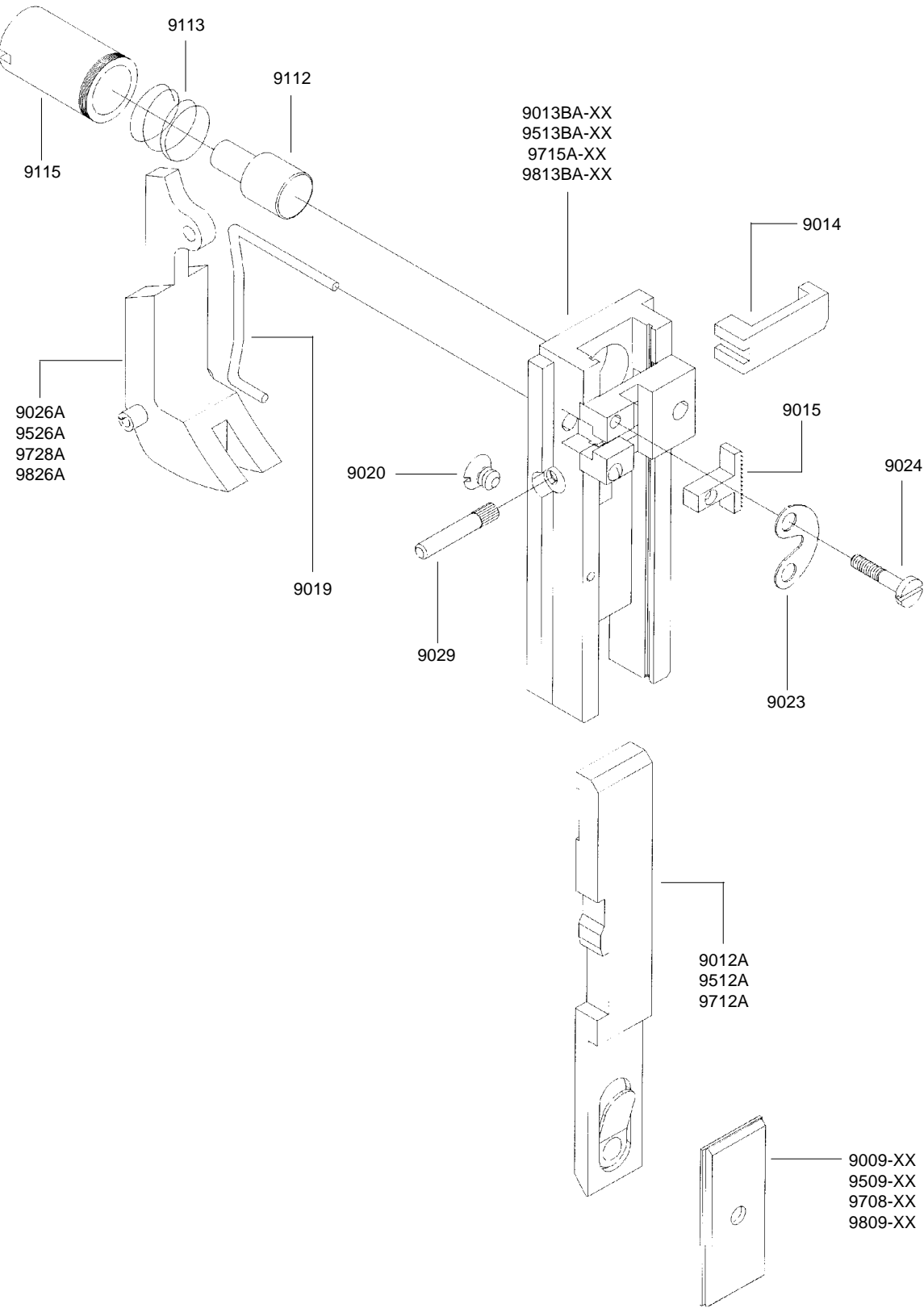
Driving Slide Assembly - "A" Style



Driving Slide Assembly - "A" Style

| ITEM No. | DESCRIPTION | QUANTITY |
|----------|--------------------------------------|----------|
| 2007 | Driving Slide Spring Plunger | 1 |
| 2103B | Driving Slide Pin | 1 |
| 2137A | Driving Slide Assembly 1/2" - (Link) | 1 |
| 2144 | Driving Slide Spring Plunger | 1 |
| 2215 | Driving Shaft Connection Link | 1 |
| 2228 | Driving Slide Pin Washer | 1 |
| 2523A | Driving Slide Assembly 3/8" - (Lug) | 1 |
| 2537A | Driving Slide Assembly 3/8" - (Link) | 1 |
| 2602 | Driving Slide Lug | 1 |
| 2606 | Face Plate Lock Clamp - 2301DHD | 1 |
| 2607 | Face Plate Lock Block | 1 |
| 2608 | Face Plate Lock Screw | 1 |
| 2610 | Face Plate Adjusting Slide | 1 |
| 2611 | Face Plate Adjusting Slide Block | 1 |
| 2612 | Face Plate Adj. Slide Block Stud | 1 |
| 2613 | Face Plate Adjusting Slide Nut | 1 |
| 2614 | Face Plate Adj. Guide Slide Stud | 1 |
| 2623A | Driving Slide Assembly 1/2" - (Lug) | 1 |
| 2626 | Driving Slide Spring | 1 |
| 2651 | Wire Guide Spring Bracket | 1 |
| 9022 | Grip Release Slide 1/2" | 1 |
| 9025 | Grip Release Slide Lever | 1 |
| 9082 | Driving Slide Spring Lock Pin | 1 |
| 9164B | Driving Slide Swivel Operating Pin | 1 |
| 9522 | Grip Release Slide 3/8" | 1 |
| 9722 | Grip Release Slide 5/16" | 1 |

Bender Bar Assembly

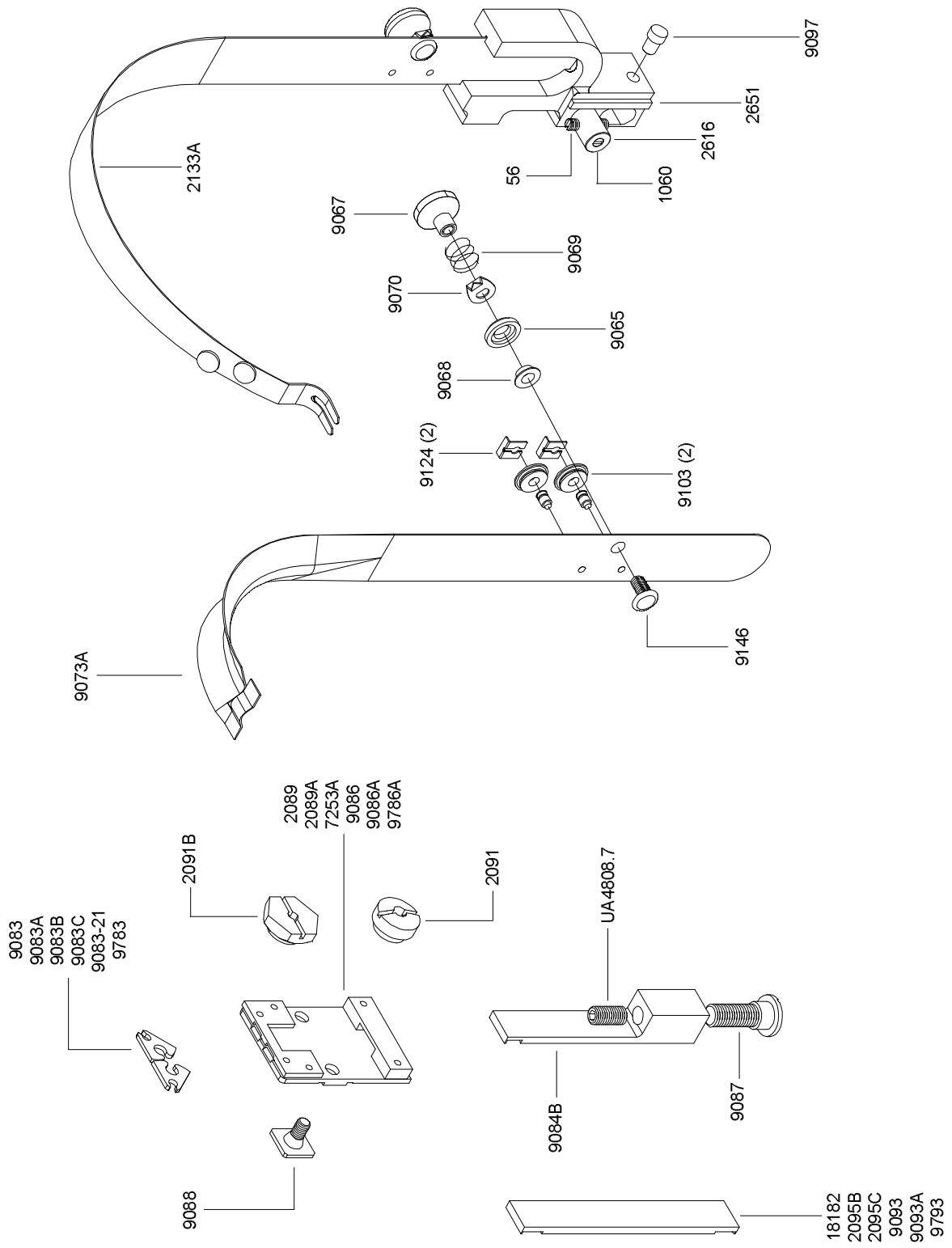


Bender Bar Assembly

| ITEM No. | DESCRIPTION | QUANTITY |
|------------|-----------------------------------|----------|
| 9009-XX* | Driver - 1/2" Crown | 1 |
| 9012A | Driver Bar Assembly - 1/2" | 1 |
| 9013BA-XX* | Bender Bar - 1/2" Crown | 1 |
| 9014 | Latch | 1 |
| 9015 | Grip | 1 |
| 9019 | Grip Spring | 1 |
| 9020 | Grip Spring Retaining Screw | 1 |
| 9023 | Grip Retaining Clip | 1 |
| 9024 | Grip Retaining Clip Screw | 1 |
| 9026A | Supporter Assembly - 1/2" Crown | 1 |
| 9029 | Supporter Pivot Pin | 1 |
| 9112 | Bender Bar Friction Plug | 1 |
| 9113 | Bender Bar Friction Spring | 1 |
| 9115 | Bender Bar Friction Bushing | 1 |
| 9509-XX* | Driver - 3/8" Crown | 1 |
| 9512A | Driver Bar Assembly 3/8 | 1 |
| 9513BA-XX* | Bender Bar - 3/8" Crown | 1 |
| 9526A | Supporter Assembly - 3/8" Crown | 1 |
| 9708-XX* | Driver - 5/16" Crown | 1 |
| 9712A | Driver Bar Assembly - 5/16" Crown | 1 |
| 9715A-XX* | Bender Bar - 5/16" Crown | 1 |
| 9728A | Supporter Assembly - 5/16" Crown | 1 |
| 9809-XX* | Driver - 5/8" Crown | 1 |
| 9813BA-XX* | Bender Bar - 5/8" Crown | 1 |
| 9826A | Supporter Assembly - 5/8" Crown | 1 |

*NOTE: For part number completion, insert the desired wire gauge after the part number. For example: the 1/2" crown Bender Bar for 25 gauge wire is part number 9013BA-25.

Wire Guide Bracket, Spring and Clincher Plate



Wire Guide Bracket, Spring and Clincher Plate

| ITEM No. | DESCRIPTION | QUANTITY |
|----------|--------------------------------------|----------|
| 1060 | Wire Guide Adjusting Binder Screw | 1 |
| 18182 | Clincher Slide | 1 |
| 2089 | Clincher Plate - Thin | 1 |
| 2089A | Clincher Plate - Thick | 1 |
| 2091 | Clincher Plate Binder Nut | 2 |
| 2091B | Clincher Plate Binder Nut (Hex) | 2 |
| 2095B | Clincher Slide - Thin | 1 |
| 2095C | Clincher Slide - Thick | 1 |
| 2133A | Wire Guide Spring Assembly | 1 |
| 2616 | Wire Guide Spring Adj. Screw Stud | 1 |
| 2651 | Wire Guide Spring Bracket | 1 |
| 56 | Wire Guide Spring Bracket Screw | 1 |
| 7253A | Clincher Plate | 1 |
| 9065 | Wire Straightener Eccentric Roller | 1 |
| 9067 | Wire Straightener Eccentric Nut | 1 |
| 9068 | Wire Straightener Eccentric Bushing | 1 |
| 9069 | Wire Straightener Eccentric Spring | 1 |
| 9070 | Wire Straightener Eccentric Pointer | 1 |
| 9073A | Wire Guide Spring Assembly | 1 |
| 9083 | Clincher Point - Thin, Round | 2 |
| 9083A | Clincher Point - Thick, Round | 2 |
| 9083B | Clincher Point - Thick, Round 0.058" | 2 |
| 9083C | Clincher Point - Thick, Flat | 2 |
| 9083-21 | Clincher Point - Thin, Flat | 2 |
| 9084B | Adjustable Clincher Slide | 1 |
| 9086 | Clincher Plate - Thin 1/2" | 1 |
| 9086A | Clincher Plate - Thick 1/2" | 1 |
| 9087 | Clincher Slide Adjustment Screw | 1 |
| 9088 | Clincher Plate Binder Bolt | 2 |
| 9093 | Clincher Slide - Thin 1/2" | 1 |
| 9093A | Clincher Slide - Thick 1/2" | 1 |
| 9097 | Grip Release Lever Pin | 1 |
| 9103 | Wire Straightener Roller | 2 |
| 9124 | Wire Straightener Roller Clip | 2 |
| 9146 | Wire Straightener Eccentric | 1 |
| 9783 | Clincher Point - Thin, 5/16 | 2 |
| 9793 | Clincher Slide - Thin, 5/16 | 1 |
| 9786A | Clincher Plate - Thin, 5/16" | 1 |
| A9086 | Complete Clincher Plate Asy - Tn, Rd | 1 |
| A9086A | Complete Clincher Plate Asy - Tk, Rd | 1 |
| UA4808.7 | Clincher Slide Adj. Lock Screw | 1 |

Part Number / Description Cross-Reference

| | | | | | |
|--------|------------------------------------|---|--------|-------------------------------------|---|
| 0035 | Driving Slide Spring - Heavy | 1 | 2215 | Driving Shaft Connector | 1 |
| 0084 | Solid Face Plate Clip Screw | 1 | 2228 | Driving Slide Pin Washer | 1 |
| 1060 | Wire Guide Adjust Binder Screw | 1 | 2523A | Driving Slide Assembly 3/8" (Lug) | 1 |
| 18182 | Clincher Slide | 1 | 2532BA | Face Plate - 3/8 (26A) | 1 |
| 18183 | Clincher Slide Adjusting Block | 1 | 2537A | Driving Slide Assembly 3/8" (Link) | 1 |
| 18184 | Clincher Slide Block Clamp | 1 | 2542A | Driving Slide Assembly 3/8" (Link) | 1 |
| 18186 | Clincher Slide Adjusting Screw | 1 | 2543A | Driving Slide Assembly 3/8" (Lug) | 1 |
| 2007 | Driving Slide Spring Plunger | 1 | 2546CA | Face Plate Assembly 3/8" (26D) | 1 |
| 2089 | Clincher Plate - Thin | 1 | 2601B | Bonnet Sub-Assembly (26D) | 1 |
| 2089A | Clincher Plate - Thick | 1 | 2601R | Bonnet Sub-Assembly (26A) | 1 |
| 2091 | Clincher Plate Binder Nut | 2 | 2602 | Driving Slide Lug (26A) | 1 |
| 2095B | Clincher Slide - Thin | 1 | 2602B | Driving Slide Lug (26D) | 1 |
| 2095C | Clincher Slide - Thick | 1 | 2606 | Face Plate Locating Clamp | 1 |
| 2103B | Driving Slide Pin | 1 | 2607 | Face Plate Lock Block | 1 |
| 2132BA | Face Plate 1/2 (26A) | 1 | 2608 | Face Plate Lock Screw | 1 |
| 2133A | Wire Guide Spring Assembly | 1 | 2609 | Bonnet Binder Stud | 1 |
| 2137A | Driving Slide Assembly Link (26A) | 1 | 2610 | Face Plate Adjust Slide | 1 |
| 2142A | Driver Slide Assembly Link (26D) | 1 | 2611 | Face Plate Adjust Slide Block | 1 |
| 2143 | Driving Slide Swivel Operating Pin | 1 | 2612 | Face Plate Adjust Slide Stud | 1 |
| 2144 | Driving Slide Plunger | 1 | 2613 | Face Plate Adjust Slide Nut | 1 |
| 2145 | Supporter Guide Plate Screw | 1 | 2614 | Face Plate Adjust Slide Stud | 1 |
| 2146CA | Face Plate 1/2 (26D) | 1 | 2616 | Wire Guide Spring Adjust Screw Stud | 1 |
| 2147 | Swivel Holder (26D) | 1 | 2623A | Driving Slide Assembly Link (26A) | 1 |
| 2148A | Swivel Holder Clamp | 2 | 2624 | Bonnet Stud Pin | 1 |
| 2151A | Swivel Operating Lever | 1 | 2626 | Driving Slide Spring - Medium | 1 |
| 2152 | Swivel Operating Lever Stud | 1 | 2627A | Driving Slide Assembly (26D) | 1 |
| 2154 | Swivel Operating Lever Hub | 1 | 2629 | Face Plate Adjustment Slide | 1 |
| 2155A | Swivel Operating Spring | 1 | 2651 | Wire Guide Spring Bracket | 1 |
| 2156 | Swivel Operating Spring Stud | 1 | 5037 | Retaining Clip Rivet | 1 |
| 2157 | Supporter Lever Lock Shoe | 1 | 5160 | Driver Release Pin | 1 |
| 2161 | Complete Face Plate Asy 1/2" (26A) | 1 | 56 | Wire Guide Spring Bracket Screw | 1 |
| 2162 | Complete Face Plate Asy 1/2" (26D) | 1 | 7024B | Clincher Point, Flat - 1/2 | 2 |

Part Number / Description Cross-Reference

| | | | | | |
|-----------|---------------------------------|---|---------|--|---|
| 7253A | Clincher Plate - 1/2 | 1 | 9049 | Wire Cutter Operating Slide | 1 |
| 7257B | Clincher Point, Round - 1/2 | 2 | 9050 | Wire Cutter Oper Slide Friction Plug | 1 |
| 9002 | Bonnet Clamp Block | 1 | 9051 | Wire Cutter Oper Slide Friction Spring | 1 |
| 9003A | Bonnet Clamp Handle | 1 | 9056 | Face Plate Retaining Clip | 3 |
| 9006 | Driving Slide Spring - Light | 1 | 9058 | Swivel Operating Lever Screw | 1 |
| 9009-XX | Driver - 1/2 - Wire Size | 1 | 9065 | Wire Straightener Eccentric Roller | 1 |
| 9010 | Retaining Clip | 1 | 9066 | Wire Straightener Eccentric | 1 |
| 9012A | Driver Bar Assembly - 1/2 | 1 | 9067 | Wire Straightener Eccentric Nut | 1 |
| 9013BA-XX | Bender Bar - 1/2 - Wire Size | 1 | 9068 | Wire Straightener Eccentric Bushing | 1 |
| 9014 | Latch | 1 | 9069 | Wire Straightener Eccentric Spring | 1 |
| 9015 | Grip | 1 | 9070 | Wire Straightener Eccentric Pointer | 1 |
| 9019 | Grip Spring | 1 | 9073A | Wire Guide Spring Assembly | 1 |
| 9020 | Grip Spring Retaining Screw | 1 | 9075 | Wire Guide Spring Bracket Screw | 1 |
| 9022 | Grip Release Slide | 1 | 9078 | Supporter Guide Plate Dowel | 2 |
| 9023 | Grip Retaining Clip | 1 | 9079 | Supporter Guide Plate Dowel | 2 |
| 9024 | Grip Retaining Clip Screw | 1 | 9081 | Screw | 1 |
| 9025 | Grip Release Slide Lever | 1 | 9082 | Driving Slide Spring Lock Pin | 1 |
| 9026A | Supporter Assembly - 1/2 | 1 | 9083 | Clincher Point, Thin, Round | 2 |
| 9029 | Supporter Pivot Pin | 1 | 9083A | Clincher Point, Thick, Round | 2 |
| 9030 | Supporter Guide Plate | 2 | 9083B | Clincher Point, Thick, Round | 2 |
| 9032 | Supporter Spring | 2 | 9083C | Clincher Point, Thick, Flat | 2 |
| 9033 | Dowel Pin | 1 | 9083-21 | Clincher Point, Thin, Flat | 2 |
| 9034 | Supporter Spring Lever Screw | 1 | 9084B | Adjustable Clincher Slide | 1 |
| 9035 | Supporter Spring Lever Roll | 1 | 9086 | Clincher Plate, Thin | 1 |
| 9036A | Supporter Spring Lever Assembly | 1 | 9086A | Clincher Plate, Thick | 1 |
| 9037 | Supporter Spring Lever Bushing | 1 | 9087 | Clincher Slide Adjusting Screw | 1 |
| 9038A | Swivel Assembly - 1/2 | 1 | 9088 | Clincher Plate Binder Bolt | 2 |
| 9038M | Swivel Magnetic - 1/2 | 1 | 9093 | Clincher Slide, Thin | 1 |
| 9043B | Swivel Holder (26A) | 1 | 9093A | Clincher Slide, Thick | 1 |
| 9044B | Swivel Holder Screw | 2 | 9097 | Grip Release Lever Pin | 1 |
| 9046A | Swivel Operating Spring (26A) | 1 | 9098 | Tension Pawl | 1 |
| 9048 | Wire Cutter | 2 | 9103 | Wire Straightener Roller | 3 |

Part Number / Description Cross-Reference

| | | | | | |
|-----------|------------------------------------|---|-----------|-------------------------------------|---|
| 9109 | Bonnet Alignment Screw | 1 | 9749 | Wire Cutter Operating Slide 5/16" | 1 |
| 9110 | Bonnet Screw Binder | 1 | 9783 | Clincher Point, Thin 5/16" | 2 |
| 9112 | Bender Bar Friction Plug | 1 | 9786A | Clincher Plate, Thin, 5/16" | 1 |
| 9113 | Bender Bar Friction Spring | 1 | 9793 | Clincher Slide, Thin - 5/16 | 1 |
| 9115 | Bender Bar Friction Bushing | 1 | 9809-XX | Driver 5/8" | 1 |
| 9123 | Wire Straightener Roll Stud | 3 | 9813BA-XX | Bender Bar - 5/8" | 1 |
| 9124 | Wire Straightener Roll Clip | 4 | 9826A | Supporter Assembly - 5/8" | 1 |
| 9127 | Swivel Operating Lever Stud | 1 | 9830 | Supporter Guide Plate - 5/8 | 2 |
| 9129B | Swivel Operating Spring Stud | 1 | 9838A | Swivel Assembly 5/8" | 1 |
| 9130 | Tension Pawl Rivet | 1 | 9847 | Swivel Holder 5/8 | 1 |
| 9134 | Tension Pawl Spring | 1 | A9086 | Complete Clincher Plate Asy, Tn, Rd | 1 |
| 9139 | Swivel Operating Stop Pin | 2 | A9086A | Complete Clincher Plate Asy, Tk, Rd | 1 |
| 9146 | Wire Straightener Eccentric | 1 | HN1213 | Bonnet Stud Nut | 1 |
| 9163 | Swivel Operating Hub | 1 | HN3816 | Hex Nut 3/8 - 16 | 1 |
| 9164B | Driving Slide Swivel Operating Pin | 1 | LW8 | Lock Washer | 1 |
| 9171 | Solid Face Plate Clip | 1 | LW38 | Lock Washer 3/8 | 1 |
| 9509-XX | Driver 3/8" | 1 | PW38 | Washer 3/8 | 1 |
| 9513BA-XX | Bender Bar 3/8" | 1 | UA1428.1 | Screw 1/4 - 28 x 1/4 | 1 |
| 9512A | Driver Bar Assembly 3/8" | 1 | UA2305.2 | Face Plate Retaining Clip Screw | 3 |
| 9522 | Grip Release Slide 3/8" | 1 | UA3216.4 | Screw 10 - 32 x 7/8 | 2 |
| 9526A | Supporter Assembly 3/8" | 1 | UA3806.1 | Supporter Lever Lock Screw | 1 |
| 9538A | Swivel Assembly 3/8" | 1 | UA3812.4 | Supporter Lever Stop Screw | 1 |
| 9549 | Wire Cutter Operating Slide 3/8" | 1 | UA4808.7 | Clincher Slide Adjuster Lock Screw | 1 |
| 9708-XX | Driver - 5/16" | 1 | UB2111.2 | Supporter Guide Pin | 1 |
| 9712A | Driver Bar Assembly - 5/16" | 1 | | | |
| 9715A-XX | Bender Bar 5/16" | 1 | | | |
| 9722 | Grip Release Slide 5/16" | 1 | | | |
| 9728A | Supporter Assembly 5/16" | 1 | | | |
| 9737A | Swivel Assembly 5/16" | 1 | | | |
| 9745 | Wire Cutter 5/16" | 2 | | | |
| 9746BA | Face Plate Assembly 5/16" | 1 | | | |
| 9747 | Swivel Holder 5/16 | 1 | | | |

Variable Crown and Wire Sizes

| Description | Crown | Wire Size | Part Number |
|--------------------------------|-------|----------------|-------------|
| Bender Bar Assembly | 5/16 | 25 | 9715A-25 |
| Bender Bar Assembly | 5/16 | 21x25 | 9715A-2125 |
| Bender Bar Assembly | 3/8 | 25 | 9513BA-25 |
| Bender Bar Assembly | 3/8 | 21x25 | 9513BA-2125 |
| Bender Bar Assembly | 1/2 | 25 | 9013BA-25 |
| Bender Bar Assembly | 1/2 | 23 | 9013BA-23 |
| Bender Bar Assembly | 1/2 | 21 | 9013BA-21 |
| Bender Bar Assembly | 1/2 | 21x25 | 9013BA-2125 |
| Bender Bar Assembly | 5/8 | 25 | 9813BA-25 |
| Bender Bar Assembly | 5/8 | 21 | 9813BA-21 |
| Clincher Plate - Thin (1/32") | 5/16 | All | 9786A |
| Clincher Plate - Thin (1/32") | 3/8 | All | 9086 |
| Clincher Plate - Thick (1/16") | 3/8 | All | 9086A |
| Clincher Plate - Thin (1/32") | 3/8 | All | 2089 |
| Clincher Plate - Thick (1/16") | 3/8 | All | 2089A |
| Clincher Plate - Thin (1/32") | 1/2 | All | 2089 |
| Clincher Plate - Thick (1/32") | 1/2 | All | 2089A |
| Clincher Plate - M-Series | 1/2 | All | 7253A |
| Clincher Plate - Thin (1/32") | 1/2 | All | 9086 |
| Clincher Plate - Thick (1/16") | 1/2 | All | 9086A |
| Clincher Plate - Thin (1/32") | 5/8 | All | 9086 |
| Clincher Plate - Thick (1/16") | 5/8 | All | 9086A |
| Clincher Point - Thin (1/32") | 5/16 | Rd Wire Only | 9783 |
| Clincher Point - Thin (1/32") | 3/8 | Rd Wire Only | 9083 |
| Clincher Point - Thick (1/16") | 3/8 | Rd Wire Only | 9083A |
| Clincher Point - (0.058") | 3/8 | Rd Wire Only | 9083B |
| Clincher Point - Thick (1/16") | 3/8 | Flat Wire Only | 9083C |
| Clincher Point - Thin (1/32") | 3/8 | Flat Wire Only | 9083-21 |
| Clincher Point - M-Series | 1/2 | Flat Wire Only | 7024B |
| Clincher Point - M-Series | 1/2 | Rd Wire Only | 7257B |
| Clincher Point - Thin (1/32") | 1/2 | Rd Wire Only | 9083 |
| Clincher Point - Thick (1/16") | 1/2 | Rd Wire Only | 9083A |
| Clincher Point - Thick (1/16") | 1/2 | Flat Wire Only | 9083C |
| Clincher Point - (0.058") | 1/2 | Rd Wire Only | 9083B |
| Clincher Point - Thin (1/32") | 1/2 | Flat Wire Only | 9083-21 |
| Clincher Point - Thin (1/32") | 5/8 | Rd Wire Only | 9083 |
| Clincher Point - Thick (1/16") | 5/8 | Rd Wire Only | 9083A |
| Clincher Point - (0.058") | 5/8 | Rd Wire Only | 9083B |
| Clincher Point - Thick (1/16") | 5/8 | Flat Wire Only | 9083C |
| Clincher Point - Thin (1/32") | 5/8 | Flat Wire Only | 9083-21 |

Variable Crown and Wire Sizes

| Description | Crown | Wire Size | Part Number |
|--------------------------------|-------|------------------|-------------|
| Clincher Slide - Thin (1/32") | 5/16 | Rd Wire Only | 9793 |
| Clincher Slide - Thin (1/32") | 3/8 | Rd Wire Only | 2095B |
| Clincher Slide - Thin (1/16") | 3/8 | Rd Wire Only | 2095C |
| Clincher Slide - Thin (1/32") | 3/8 | Rd Wire Only | 9093 |
| Clincher Slide - Thin (1/16") | 3/8 | Rd Wire Only | 9093A |
| Clincher Slide - M-Series | 1/2 | Rd and Flat Wire | 18182 |
| Clincher Slide - Thin (1/32") | 1/2 | Rd and Flat Wire | 9093 |
| Clincher Slide - Thick (1/16") | 1/2 | Rd and Flat Wire | 9093A |
| Clincher Slide - Thin (1/32") | 1/2 | Rd and Flat Wire | 2095B |
| Clincher Slide - Thick (1/16") | 1/2 | Rd and Flat Wire | 2095C |
| Clincher Slide - Thin (1/32") | 5/8 | Rd and Flat Wire | 9093 |
| Clincher Slide - Thick (1/16") | 5/8 | Rd and Flat Wire | 9093A |
| Driver | 5/16 | 25 | 9708-25 |
| Driver | 5/16 | 21x25 | 9708-2125 |
| Driver | 3/8 | 25 | 9509-25 |
| Driver | 3/8 | 21x25 | 9509-2125 |
| Driver | 1/2 | 25 | 9009-25 |
| Driver | 1/2 | 23 | 9009-23 |
| Driver | 1/2 | 21 | 9009-21 |
| Driver | 1/2 | 21x25 | 9009-2125 |
| Driver | 5/8 | 25 | 9809-25 |
| Driver | 5/8 | 21 | 9809-21 |
| Driver Bar Assembly | 5/16 | All | 9712A |
| Driver Bar Assembly | 3/8 | All | 9512A |
| Driver Bar Assembly | 1/2 | All | 9012A |
| Driver Bar Assembly | 5/8 | All | 9012A |
| Driving Slide Asy - Crank | 5/16 | All | 2142A |
| Driving Slide Asy - Rail | 5/16 | All | 2627A |
| Driving Slide Asy - Rail | 3/8 | All | 2523A |
| Driving Slide Asy - Crank | 3/8 | All | 2537A |
| Driving Slide Asy - Crank | 3/8 | All | 2542A |
| Driving Slide Asy - Rail | 3/8 | All | 2543A |
| Driving Slide Asy Crank | 1/2 | All | 2137A |
| Driving Slide Asy - Crank | 1/2 | All | 2142A |
| Driving Slide Asy - Rail | 1/2 | All | 2623A |
| Driving Slide Asy - Rail | 1/2 | All | 2627A |
| Driving Slide Asy - Crank | 5/8 | All | 2142A |
| Driving Slide Asy - Rail | 5/8 | All | 2627A |

Variable Crown and Wire Sizes

| Description | Crown | Wire Size | Part Number |
|-----------------------------|-------|--------------|-------------|
| Face Plate Assembly - 26D | 5/16 | All | 9746BA |
| Face Plate Assembly - 26A | 3/8 | All | 2532BA |
| Face Plate Assembly - 26D | 3/8 | All | 2546CA |
| Face Plate Assembly - 26A | 1/2 | All | 2132BA |
| Face Plate Assembly - 26D | 1/2 | All | 2146CA |
| Face Plate Assembly - 26A | 5/8 | All | 2132BA |
| Face Plate Assembly - 26D | 5/8 | All | 2146CA |
| | | | |
| Grip Release Slide | 5/16 | All | 9722 |
| Grip Release Slide | 3/8 | All | 9522 |
| Grip Release Slide | 1/2 | All | 9022 |
| Grip Release Slide | 5/8 | All | 9022 |
| | | | |
| Supporter | 5/16 | All | 9728A |
| Supporter | 3/8 | All | 9526A |
| Supporter | 1/2 | All | 9026A |
| Supporter | 5/8 | All | 9826A |
| | | | |
| Supporter Guide Plate | 5/16 | All | 9030 |
| Supporter Guide Plate | 3/8 | All | 9030 |
| Supporter Guide Plate | 1/2 | All | 9030 |
| Supporter Guide Plate | 5/8 | All | 9830 |
| | | | |
| Supporter Guide Plate Dowel | 5/16 | All | 9078 |
| Supporter Guide Plate Dowel | 3/8 | All | 9078 |
| Supporter Guide Plate Dowel | 1/2 | All | 9078 |
| Supporter Guide Plate Dowel | 5/8 | All | 9079 |
| | | | |
| Swivel Assembly | 5/16 | All | 9737A |
| Swivel Assembly | 3/8 | All | 9538A |
| Swivel Assembly | 1/2 | All | 9038A |
| Swivel Assembly | 1/2 | Rd Wire Only | 9038M |
| Swivel Assembly | 5/8 | All | 9838A |
| | | | |
| Wire Cutter | 5/16 | All | 9745 |
| Wire Cutter | 3/8 | All | 9048 |
| Wire Cutter | 1/2 | All | 9048 |
| Wire Cutter | 5/8 | All | 9048 |
| | | | |
| Wire Cutter Operating Slide | 5/16 | All | 9749 |
| Wire Cutter Operating Slide | 3/8 | All | 9549 |
| Wire Cutter Operating Slide | 1/2 | All | 9049 |
| Wire Cutter Operating Slide | 5/8 | All | 9049 |

REGISTRATION

To better service your wire stitching needs, please take a moment to fill out and return this registration card.

CUSTOMER

Name : _____
(First) _____ (Middle Initial) _____ (Last)
Company : _____
Street Address : _____
City : _____ State/Province : _____ Zip : _____
Country : _____
Phone : _____ Fax : _____ E-mail : _____

PRODUCT

Machine(s) Purchased : _____
Serial Number(s) : _____
With Head(s) : _____
(Type/Quantity Purchased)
Serial Number(s) : _____
Head(s) Purchased : _____
Serial Number(s) : _____

DEALER

Date Received : _____
Dealer Name : _____
Dealer Street Address : _____
City : _____ State/Province : _____ Zip : _____
Country : _____
Dealer Phone : _____

Other Bindery Products Used : _____

Would you like information sent to you about new products that would benefit your company? Yes No

Please take a moment to fill out the attached card and mail it to DeLuxe Stitcher Company, Inc. In addition, duplicate the information for your records to assist when making further inquiries.

PRODUCT

Machine(s) Purchased : _____
Serial Number(s) : _____
With Head(s) : _____
(Type/Quantity Purchased)
Serial Number(s) : _____
Head(s) Purchased : _____
Serial Number(s) : _____

DE LUXE STITCHER GRAPHIC ARTS REPRESENTATIVE

Date Received : _____
Dealer Name : _____
Dealer Street Address : _____
City : _____ State/Province : _____ Zip : _____
Country : _____
Dealer Phone : _____

Common Replacement Parts for 1/2" Crown

Below is a list of the most common wear/replacement parts for the 26/26D Stitcher Head. This guide should help you when ordering replacement parts. If the part you need is not listed below, please refer to the more detailed parts list on pages 43-45 in this manual.

| Description | Item Number |
|---------------------------------------|----------------|
| Swivel Operating Spring | 2155A |
| Driver | 9009-wire size |
| Driver Bar Assembly | 9012A |
| Latch | 9014 |
| Grip | 9015 |
| Grip Spring | 9019 |
| Grip Spring Retaining Screw | 9020 |
| Grip Retaining Clip | 9023 |
| Grip Retaining Clip Screw | 9024 |
| Supporter Assembly | 9026A |
| Swivel Assembly | 9038A / 9038M |
| Wire Cutter | 9048 |
| Wire Cutter Oper. Slide Friction Plug | 9050 |
| Wire Cutter Slide Friction Spring | 9051 |
| Clincher Points | 9083 |
| Tension Pawl | 9098 |
| Wire Straightener Roller | 9103 |
| Bender Bar Friction Plug | 9112 |
| Bender Bar Friction Spring | 9113 |
| Wire Straightener Roll Clip | 9124 |
| Tension Pawl Spring | 9134 |

**PLAC:
STAM
HERE**

**DELUXE STITCHER
COMPANY INC.**
6635 West Irving Park Road
Chicago, Illinois 60634-2410 U.S.A.
Attn: Customer Service

* You can purchase the 26DRPK which includes these and other common replacement parts

LIMITED WARRANTY

DeLuxe Stitcher Company warrants to the original retail purchaser that this product is free from defects in material and workmanship and agrees to repair or replace, at DeLuxe Stitcher's option, any defective product within 90 days from the date of purchase. This warranty is not transferable. It covers damage resulting only from defects in material or workmanship and does not cover conditions or malfunctions resulting from normal wear, neglect, abuse or accident.

This warranty is in lieu of all other express warranties. Any warranty of merchantability or fitness for a particular purpose is limited to the duration of this warranty. DeLuxe Stitcher shall not be liable for any incidental or consequential damages.

Some states do not allow limitations on how long an implied warranty lasts, or the exclusion or limitation of incidental or consequential damages, so the above limitations or exclusions may not apply to you. This warranty gives you specific legal rights and you may also have other rights which vary from state to state.

To obtain warranty service you must return the product, at your expense, together with proof of purchase to an authorized DeLuxe Stitcher Graphic Arts Dealer.

Always use genuine DeLuxe Stitcher parts. When ordering parts, please identify the part number, the part name, the wire size and crown size of your Stitcher.

DeLuxe Stitcher Company, Inc.
6635 West Irving Park Road
Chicago, Illinois 60634-2410
Phone: 773-777-6500 800-634-0810
Fax: 773-777-0156 800-417-9251
E-mail: DeluxeStitcher@aol.com
Web Site: <http://www.deluxestitcher.com>

